

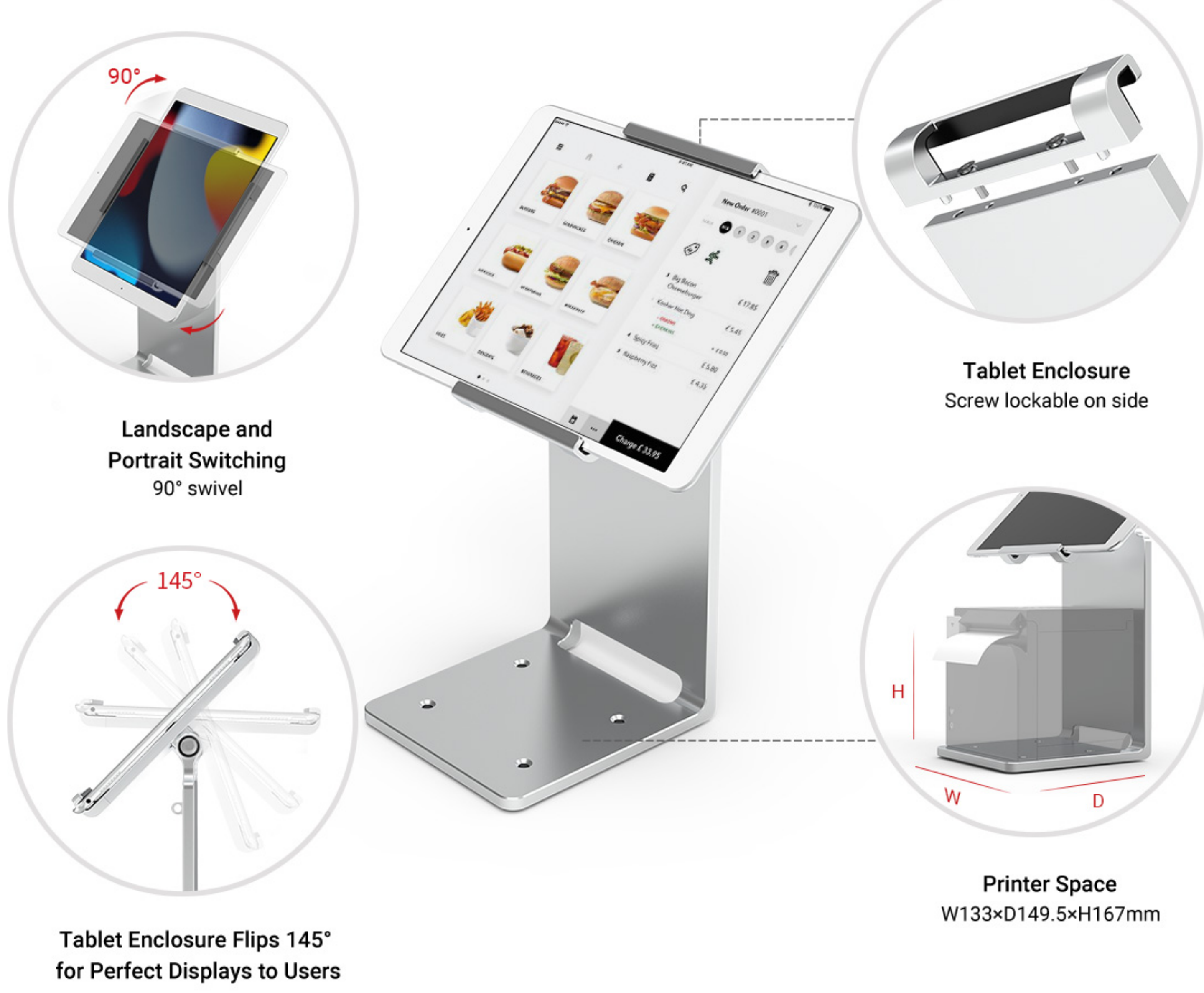
Two-in-one POS Stand

PS-2020

- Aluminum alloy material
- Flip back and forth 145 degrees
- Supports landscape and portrait switch



FEATURES



Two-in-one POS Stand

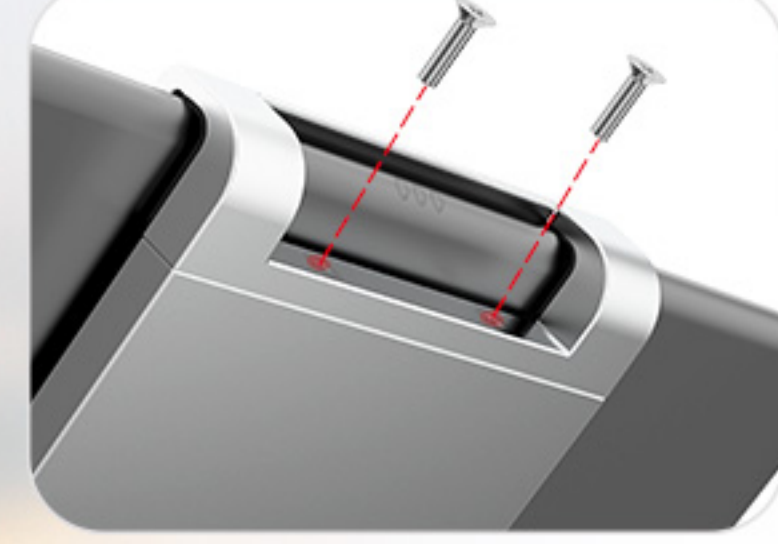
The PS-2020 stand integrates two-in-one solution for tablet enclosure and printer, good design for smart and fashion. Due the open design of the stand, the tablet can well displays its elegant appearance in the installation way of screws locked. The lower part of stand is the space for printer, there the base reserves a thin strip slot for cable routing to keep the cables well organized and neat. The stand can work at any cashier space freely combined with cash drawer or cashier equipment.

Compatibility:
 iPad 5(9.7")
 iPad 6(9.7")
 iPad Air 1(9.7")

iPad Pro 10.5"
 iPad Air 3(10.5")

iPad Air 2(9.7")
 iPad Pro 9.7"

iPad 7(10.2")
 iPad 8(10.2")
 iPad 9(10.2")



Screw lockable on side



Cable routing slot



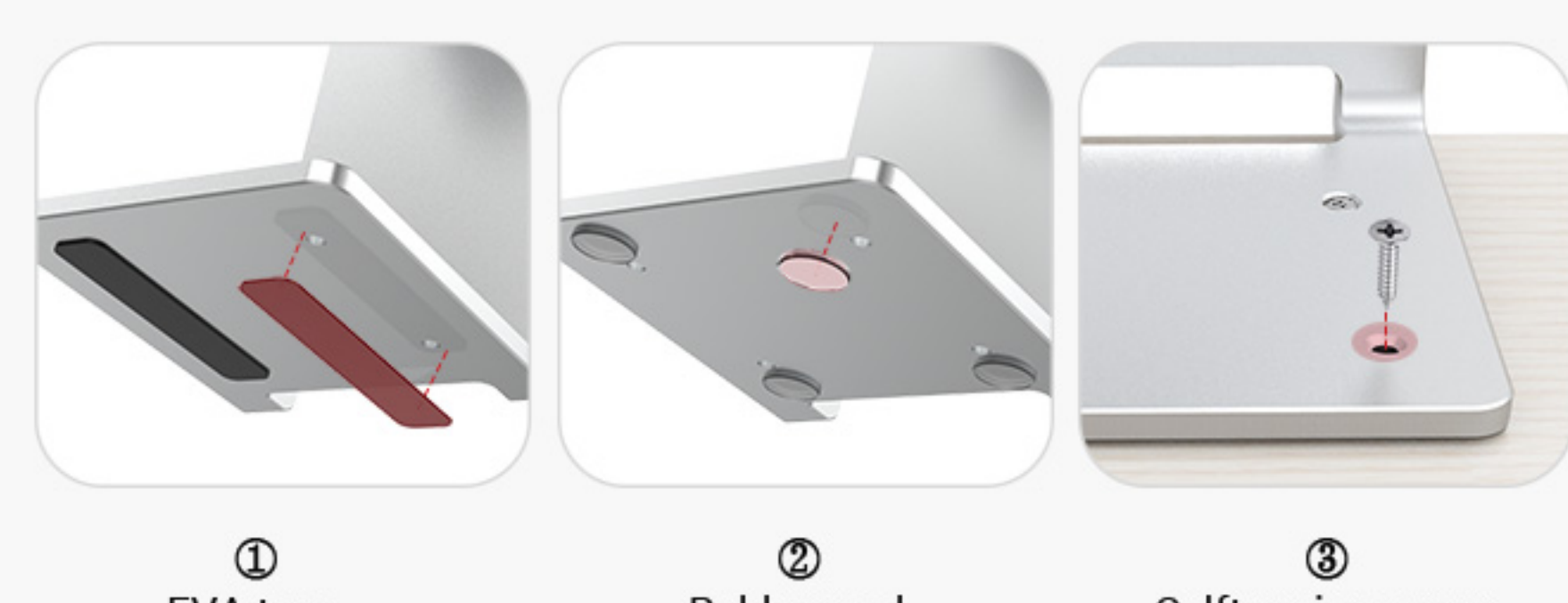
Screen Flexible Adjustment

Screen can be 145° flipped for perfect viewing to the users on both site. Supports landscape and portrait switch for different software application.

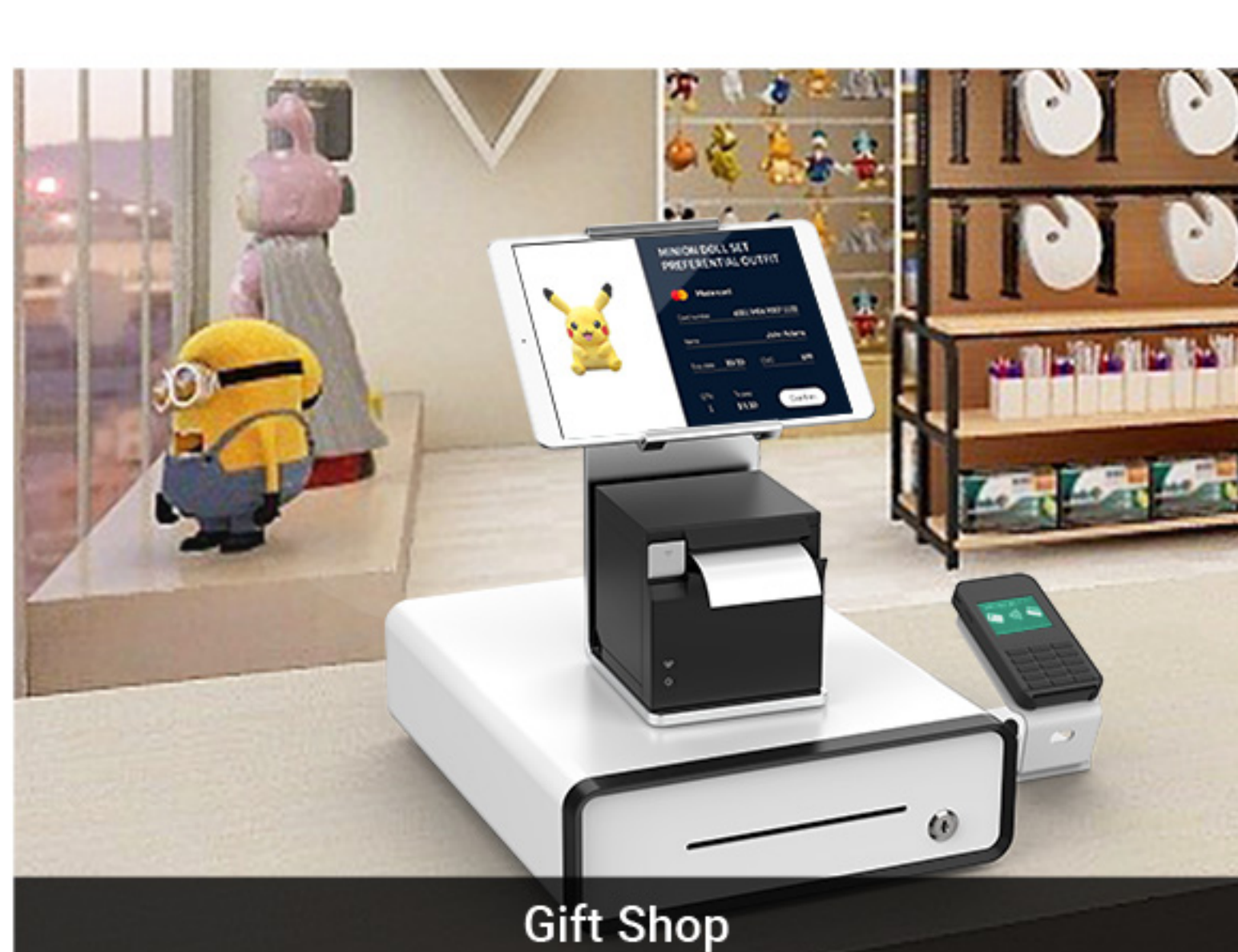


Aluminum Alloy Die Casting Process

Realized by aluminum alloy and die casting process, the stand is light but strong. Supports flexible applications by screws installed, or desktop placed directly.



APPLICATIONS

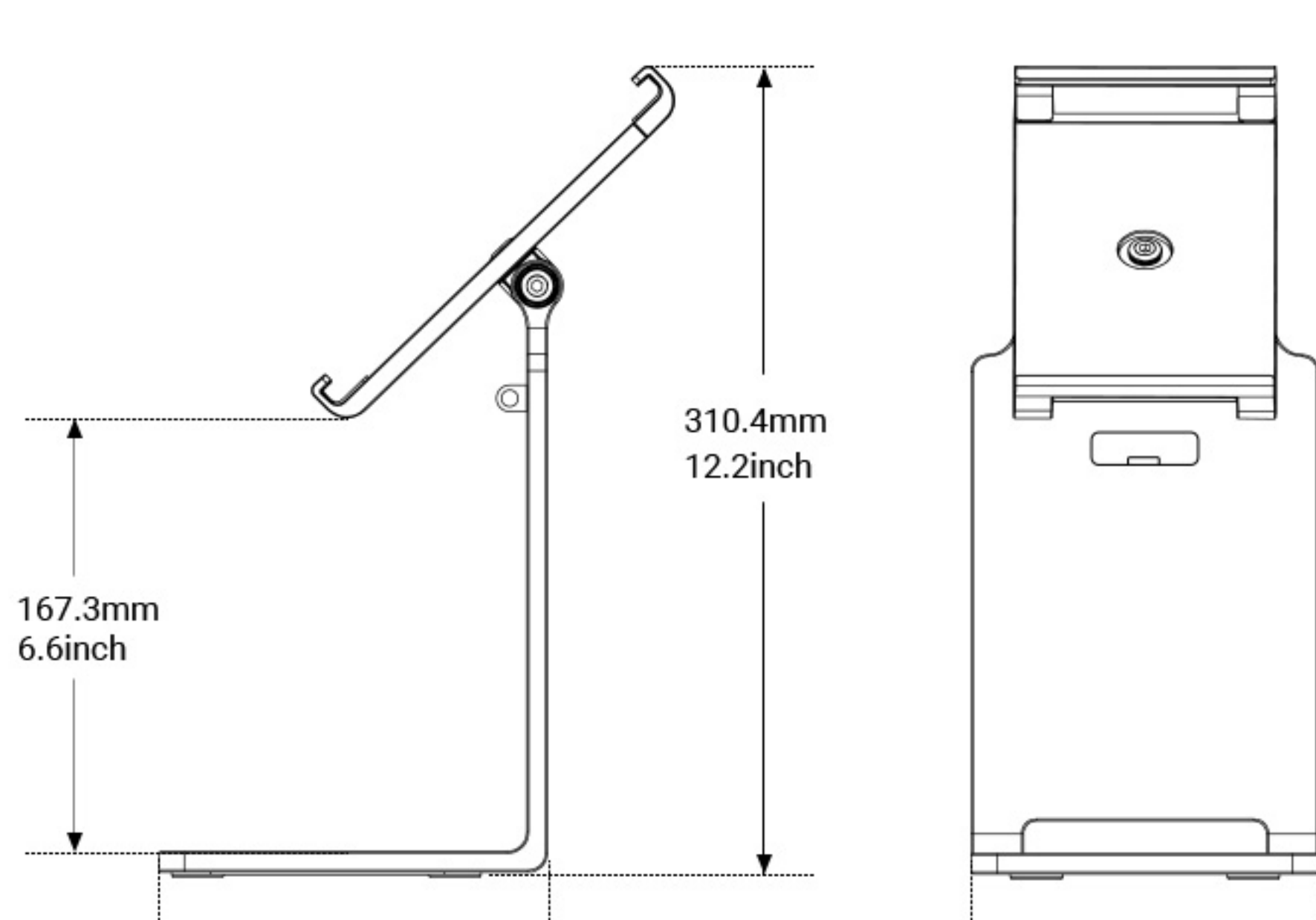


Gift Shop



Cake Shop

SPECIFICATIONS



Model	PS-2020
Tablet Compatibility	iPad 5(9.7") / iPad 6(9.7") / iPad Air 1(9.7") iPad Pro 10.5" / iPad Air 3(10.5") iPad Air 2(9.7") / iPad Pro 9.7" iPad 7(10.2") / iPad 8(10.2") / iPad 9(10.2")
Dimensions	149.5 x 133 x 310 mm
Net Weight	1.4kg
Material	Aluminum alloy