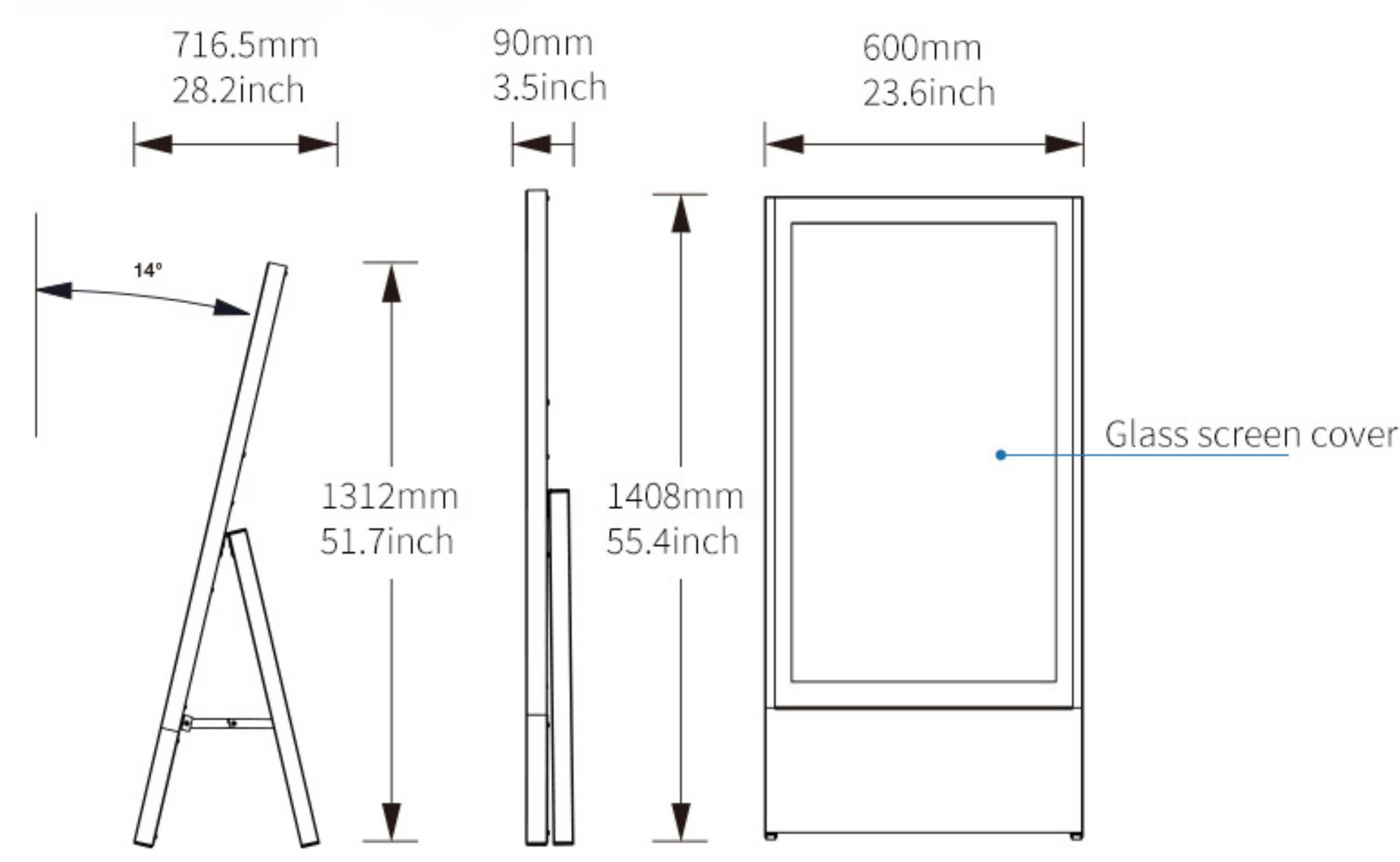


DD-4300

A-Board Digital Signage



Product Parameters



OS Support	WIN10 (trial version)	Android 11
CPU	Intel Celeron J6412 qual-core 2.0G	RK3568 Cortex-A55 quad-core 2.0GHz
System Memory	4G/8G	2G/4G
Disk	128G/256G(SSD)	16G/32G
Speaker	5W*2	5W*2
Interface	USB*2, RJ45*1	USB*2, RJ45*1
Network	Ethernet/WIFI	
No Touch	Tempered glass screen protection	
LCD		
Type	TFT-LCD	Contrast Ratio
Screen size	43"	Response time
Max Resolution	1920x1080	Viewing angle
Aspect Ratio	16:9	Display Colors
Brightness	400cd/m ²	Refresh Rate
Panel Life	30000 hours	
Power		
Voltage	100V-240VAC,50/60Hz	Power Consumption
		75W
Enclosure		
Material	SPCC	Surface
Overall size	L600 x W90 x H1408mm	Color
Net weight	28kg	White, black or customized
Application		
Working temperature	0~40°C	Storage temperature
Working humidity	20%~80%	Storage humidity
Application	indoor	-20~60°C 10%~90%

Product Features



Standard 43 inch screen size



All metal construction, safe and durable



Screen protection with armorplate glass



An antenna gets better signal



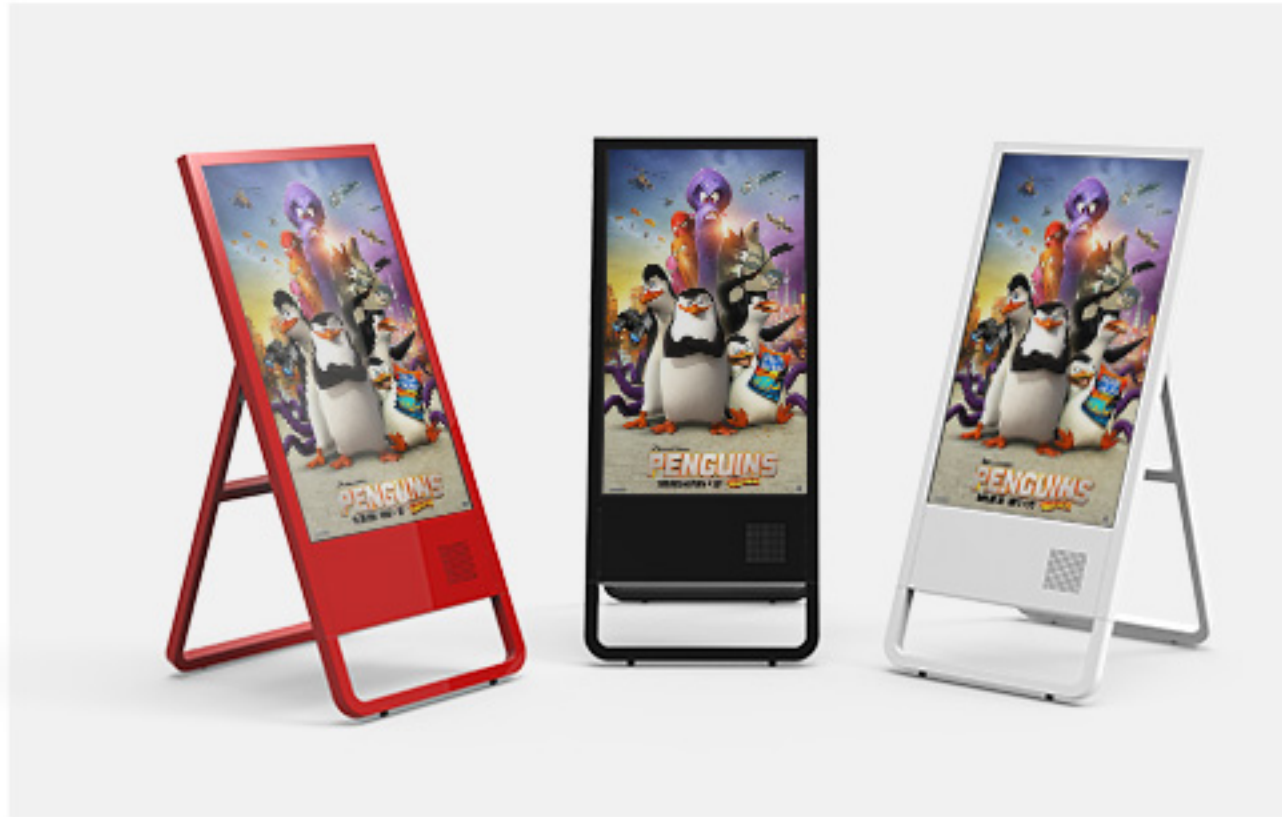
Secure with key lock,plug and play with 2 USB interface



Two castors for movement, another feet for standing



Simple for folding, easy for transportation



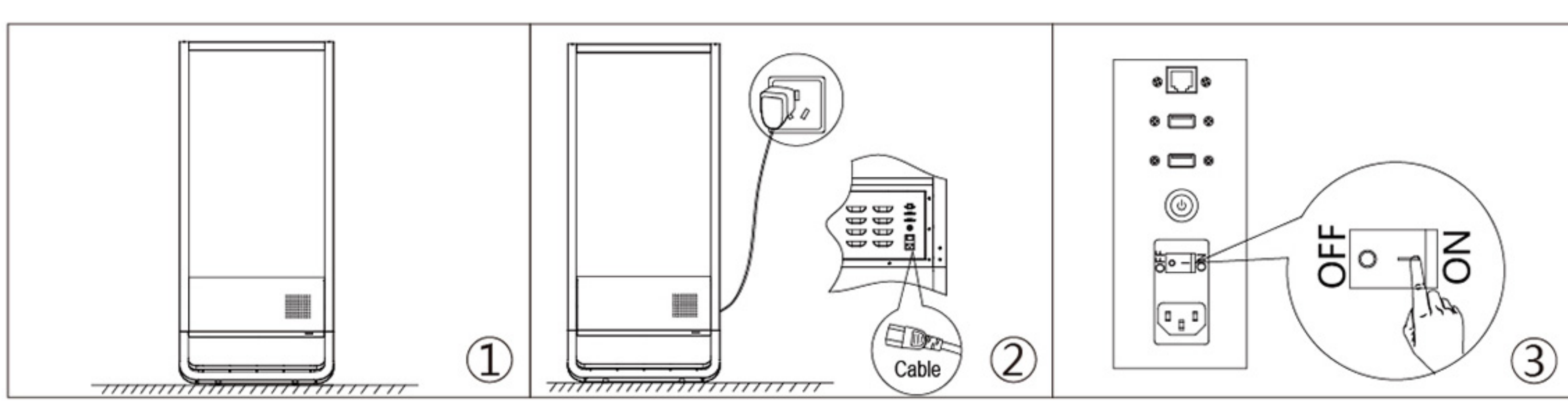
High-definition image quality to bring your message to a vivid color

Application Scenarios

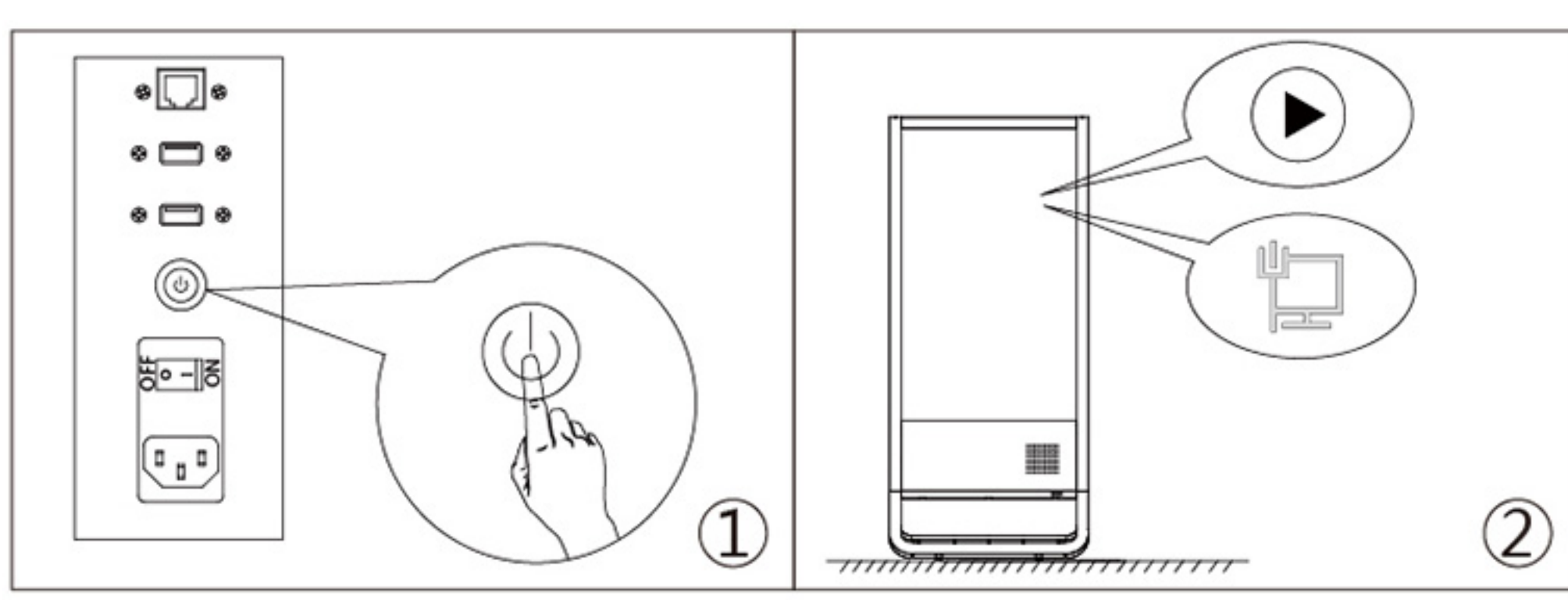


Specs & Assembly

Operating Instructions



- Please place machine at desired location
- Connect the power cord and the internet cable.
- Turn on the power switch.



- Press the starting button for booting.
- Install the multimedia playing terminal software, set the network parameters. Mark: Support timer switch, remote shutdown and wake on LAN.

Packing List



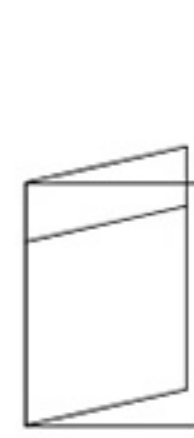
Product x1



Key x2



Power Cord x1



User Manual x1