

Countertop Combined Self-checkout Kiosk

KH-2100C

- 21.5" HD touch screen
- 10 points PCAP touch
- Support ethernet & WiFi
- Options: printer, scanner, card reader holder and camera
- Application: countertop



FEATURES

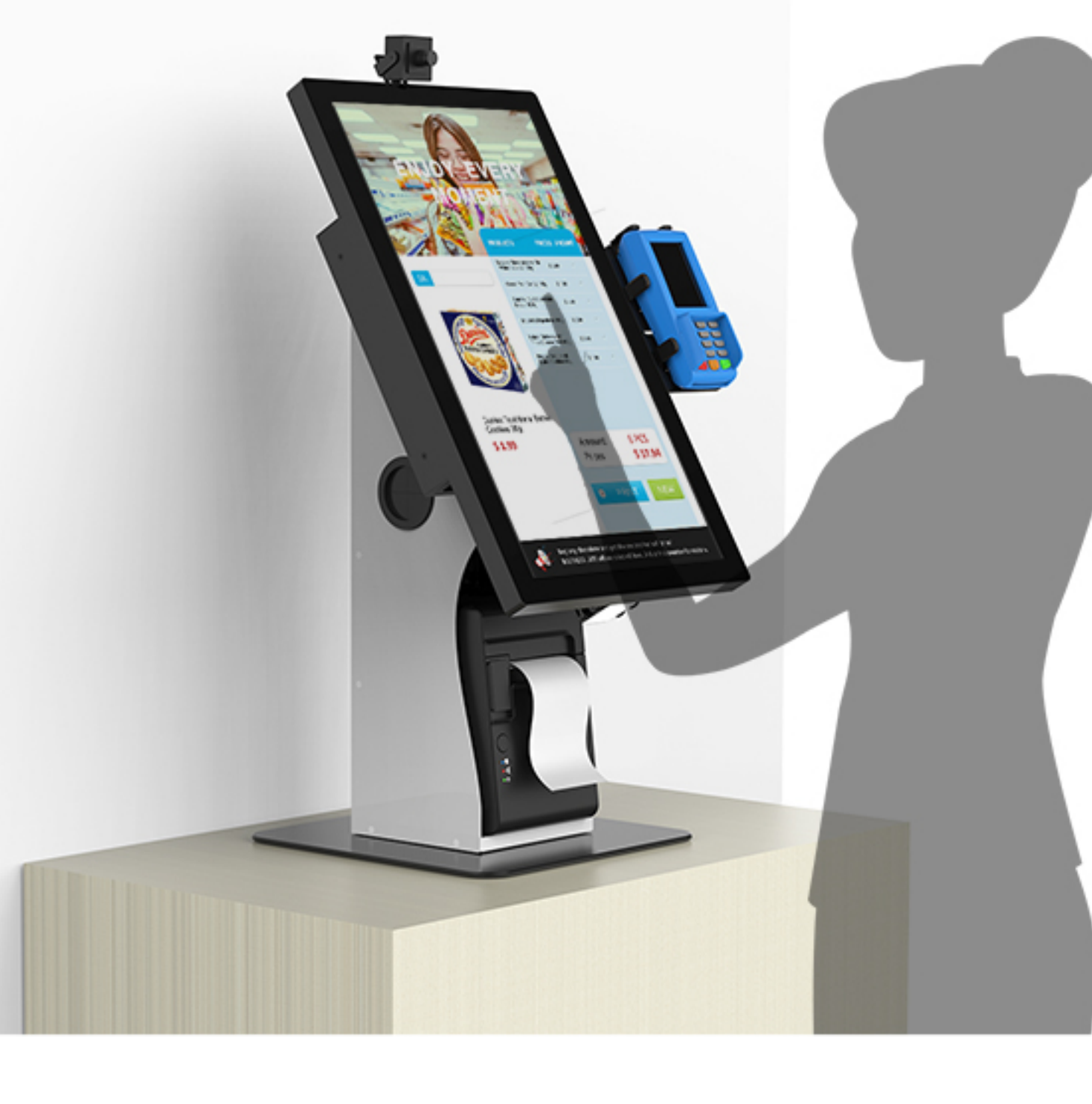
- Option Device: Camera**
- 1080P HD Touch Screen**
10 points PCAP touch
- Option Device: Scanner**
- Space for Printer**
L150xW130xH200mm (Without printer)
- Card Reader Holder (Without Card Reader)**
Width range: 52-92mm
- Cable Cover**
- VESA Standard Mounting Holes**
(75x75/100x100mm)
- Hole for Cable Routing**

Compact Combination Efficient Checkout without Space Occupation

The countertop combined self-checkout kiosk KH-2100C, its highlight characteristics are fashion compact structure and efficient checkout without flooring space occupation. It can be easily installed, such as on the commercial display counter or checkout counter directly, and is suitable for retail shops, restaurant, and small supermarket.

The kiosk is combined with 21.5inch HD touch screen and stand with free space for printer. Several option devices are available to meet different application requirement, including printer, scanner, camera and card reader holder.

Stable base with dual assembled panels.



HD Original Screen Multiple Points Capacitive Touch

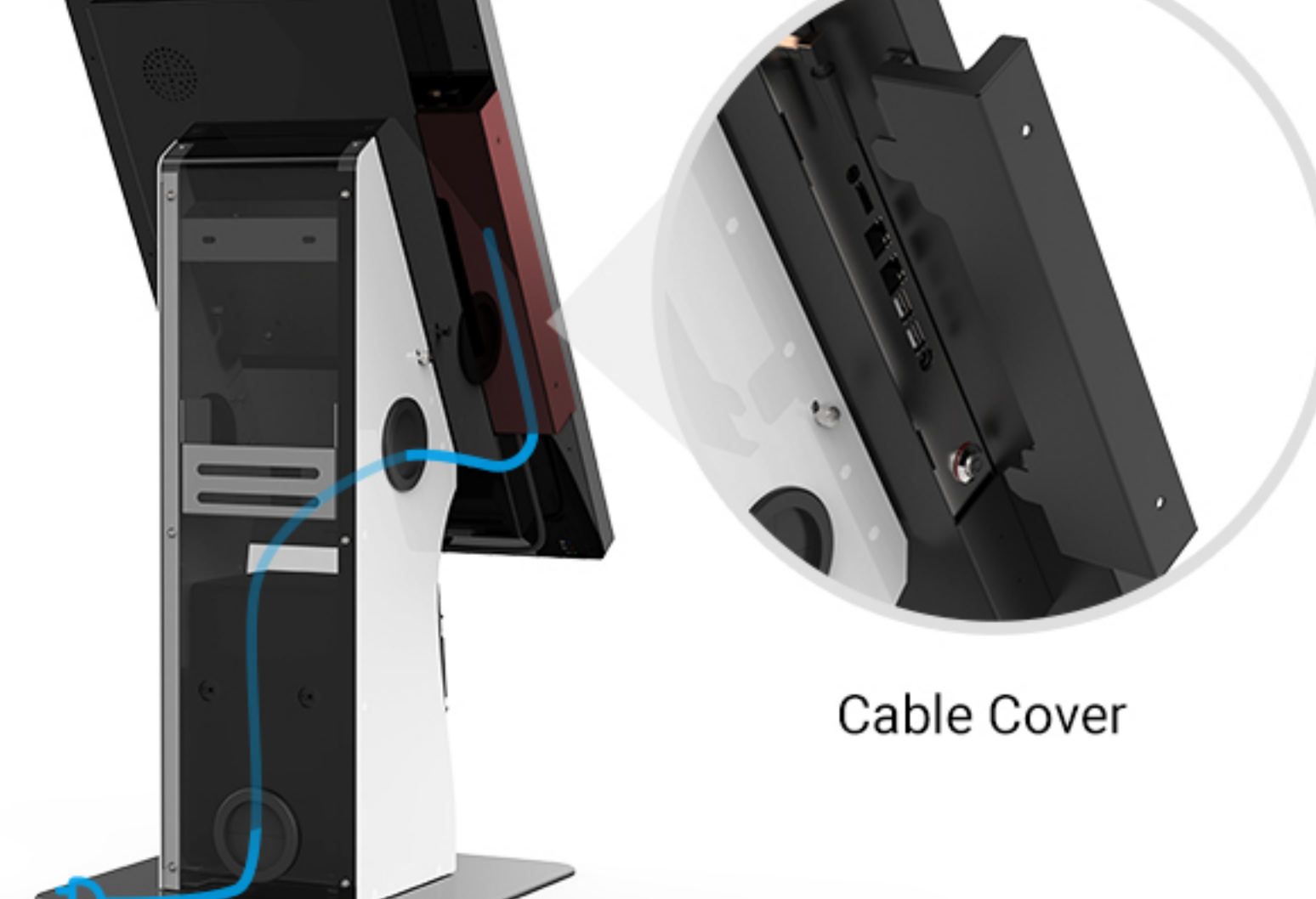
21.5" HD original commercial screen, configured with 1920x1080 high resolution, 3000:1 ratio, and 178° viewing image, offers users comfortable visual experience.

10-point capacitive touch and 10ms fast response, support kinds of gestures by point or slide touch with fantastic checkout experience.

- Support kinds of gestures by point
- 1080P HD original screen
- 178° viewing image
- OS Support: Android/Windows

Cable Hidden Routing High Security

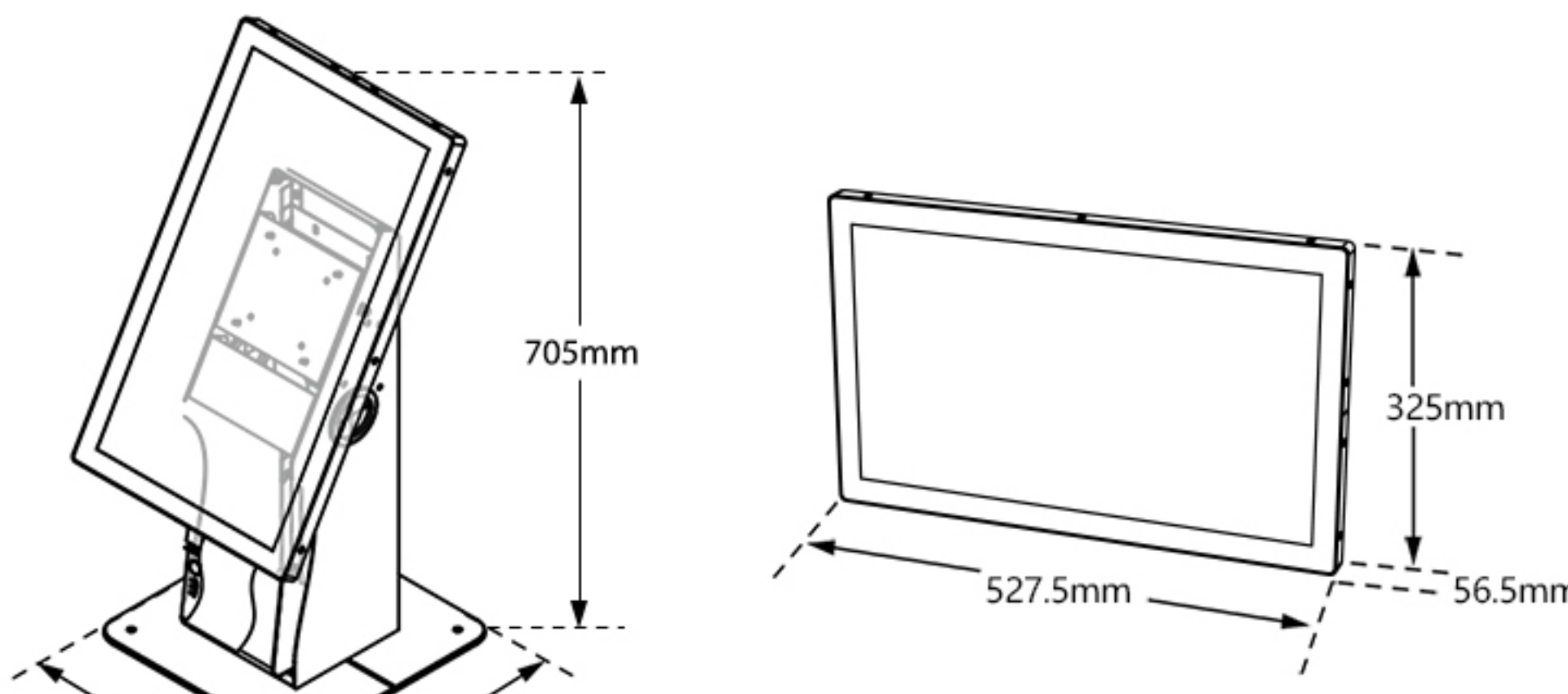
The interior of the stand, reserving space for cable hidden routing, and has advantage of safety and neat. The cable cover is equipped to the side of the screen, protecting the switch, interface and cables from public touch and damage.



APPLICATIONS



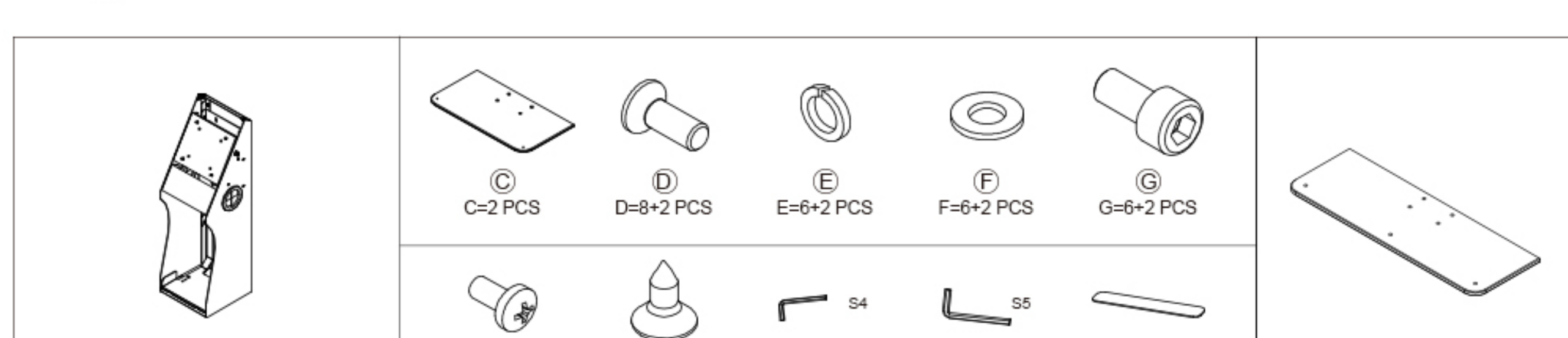
SPECIFICATIONS



OS Support			
Operating System	WIN 10 (trial version)	Android 11	
CPU	Intel Celeron J6412 Quad-core 2G	RK3568 Cortex-A55 Quad-core, 2.0 GHz	
System Memory	4G/8G	2G/4G	
Disk	128G/256G(SSD)	16G/32G	
Interface			
Speaker	5W*2	5W*2	
Interface	USB*4/RJ45*1	USB*2/RJ45*1	
Network	Ethernet/WIFI	Ethernet/WIFI	
Touch Screen			
Type	PCAP 10 points	Response Time	10ms
LCD			
Type	TFT-LCD	Contrast Ratio	3000:1
Screen Size	21.5"	Response Time	18ms
Max Resolution	1920 x 1080	Viewing Angle	H178° V178°
Aspect Ratio	16 : 9	Display Colors	16.7M
Brightness	300cd/m ²	Refresh Rate	60Hz
Panel Life	30000 hours		
Built-in Devices			
Printer	Optional	Camera	Optional
Scanner	Optional	Card reader	Optional
Power			
Voltage	100-240VAC, 50/60HZ	Power Consumption	<40W
Enclosure			
Material	SPCC	Surface	Powder coating
Overall Size (mm)	L325xW340xH705	Net Weight	16.5kg(Countertop)
Package (mm)	L595xW220xH230(Countertop stand) L650xW450xH190(21.5" monitor)	Gross Weight	12kg(Countertop stand) 10.5kg(21.5" monitor)
Application			
Working Temperature	0-40℃	Storage Temperature	-20-60℃
Working Humidity	20%-80%	Storage Humidity	10%-90%
Application	Indoor		

ASSEMBLY & INSTALLATION

Packing List



Installation Instructions

