

Tablet POS Solution

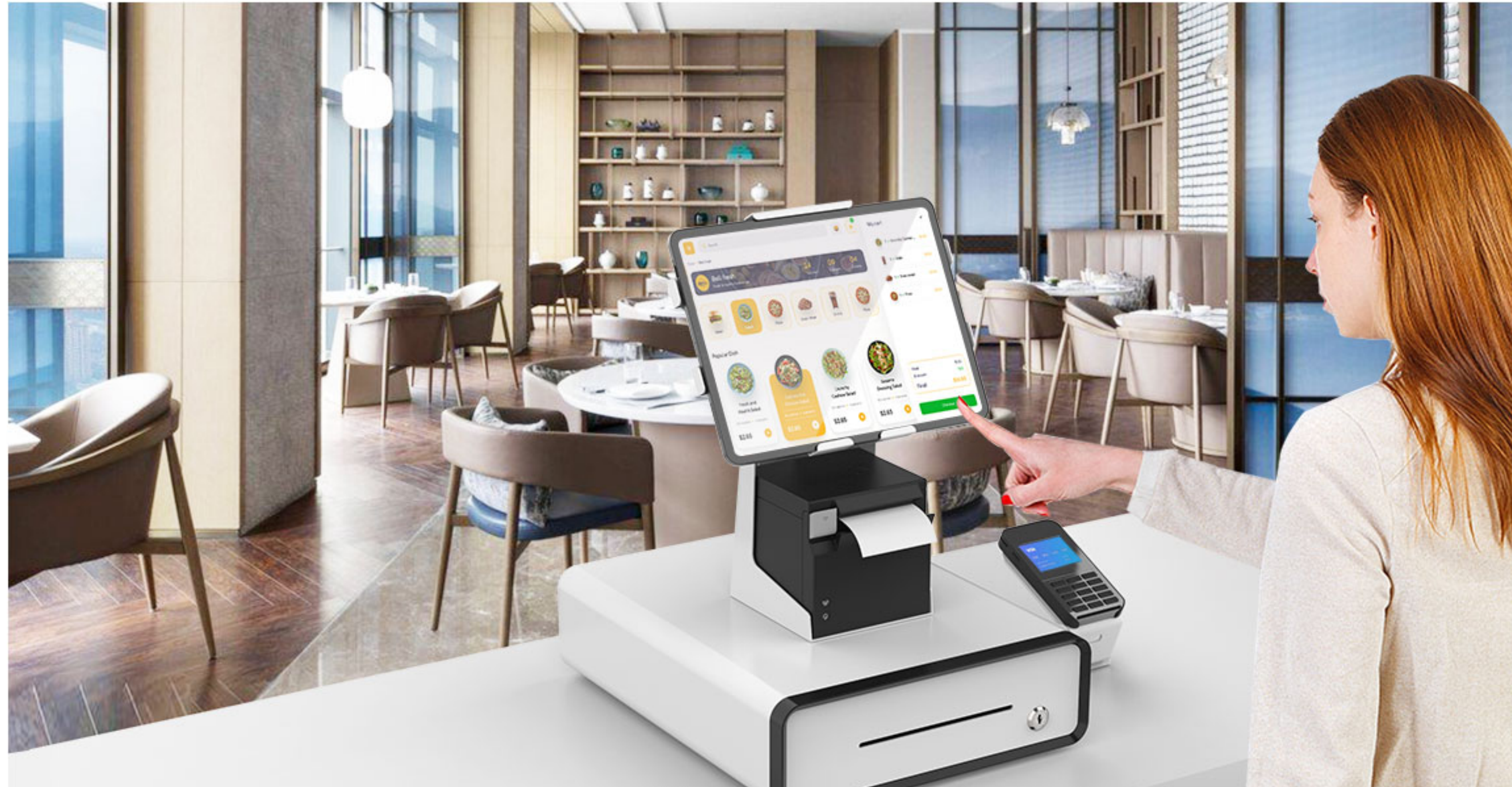
TPS-3330



Light Luxury and Business POS

High standard for quality business space. Stylish cash drawer, with mini POS tablet stand and pos terminal stand, build a simple but esthetical, business but poetic cashier area.

High-end positioning combination, designed for pursuit of quality and modern light luxury style shops, can easily integrated into high-end shops like jewelry, home decoration, and fancy restaurant ect, present luxury style.

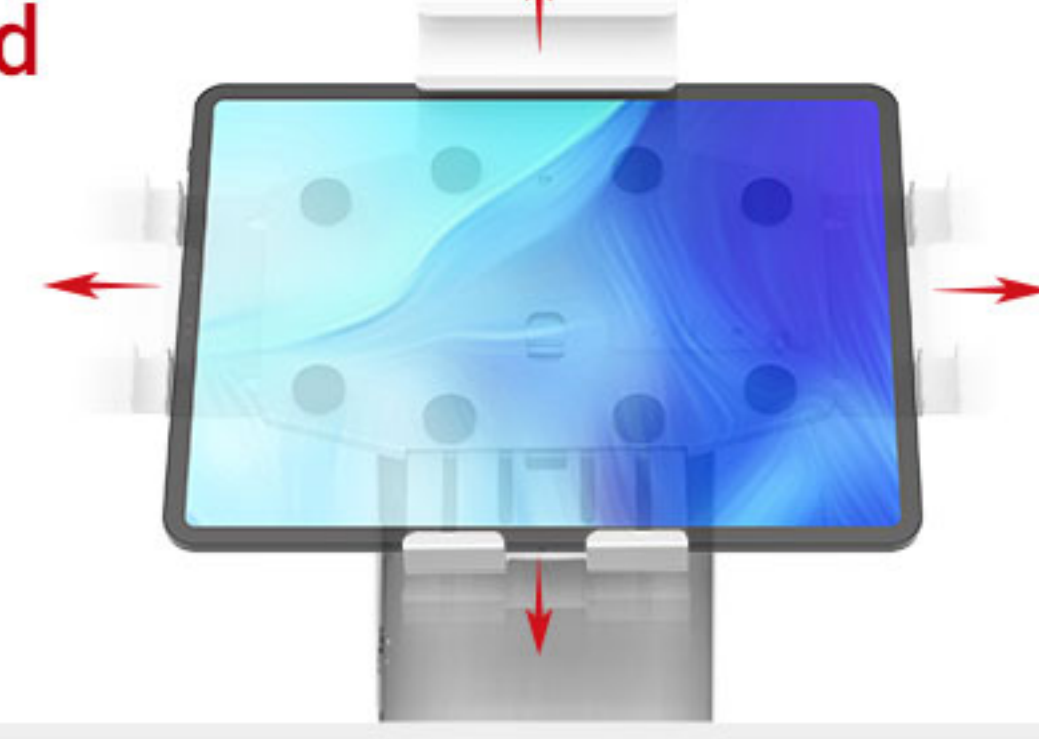


Tablet POS Stand

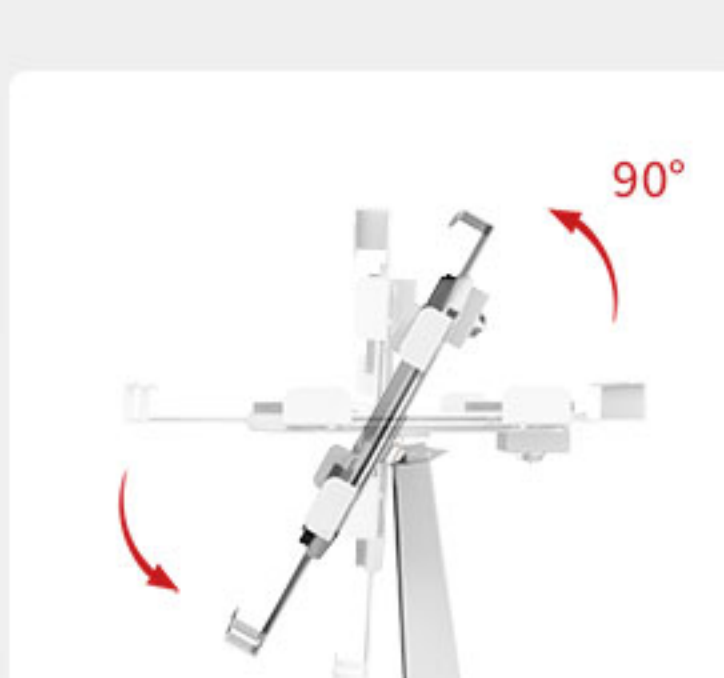
PS-2010

Two-in-one by tablet and printer, saving space

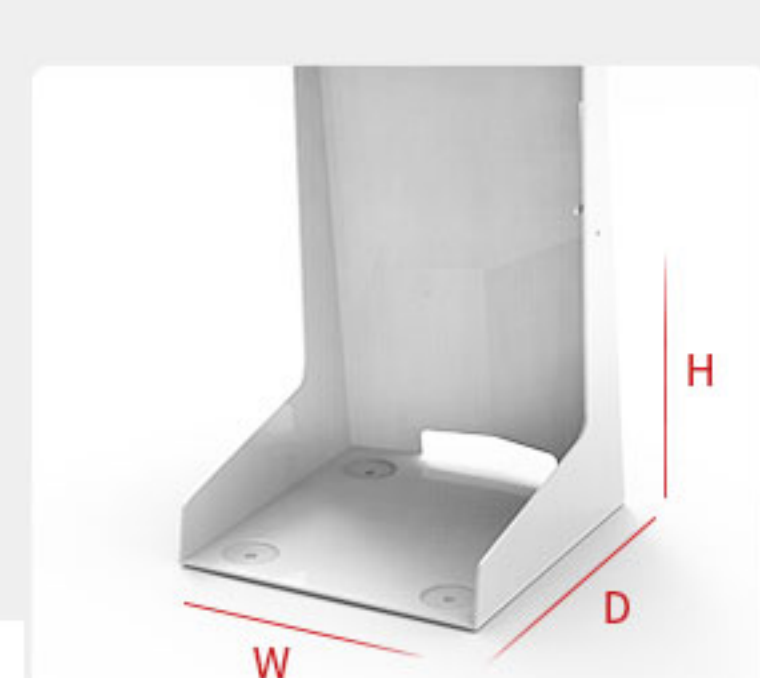
[<<More details](#)



Adjustable enclosure



Tilted 90 degree



Printer space
W127xD127*H127mm

Stylish Cash Drawer

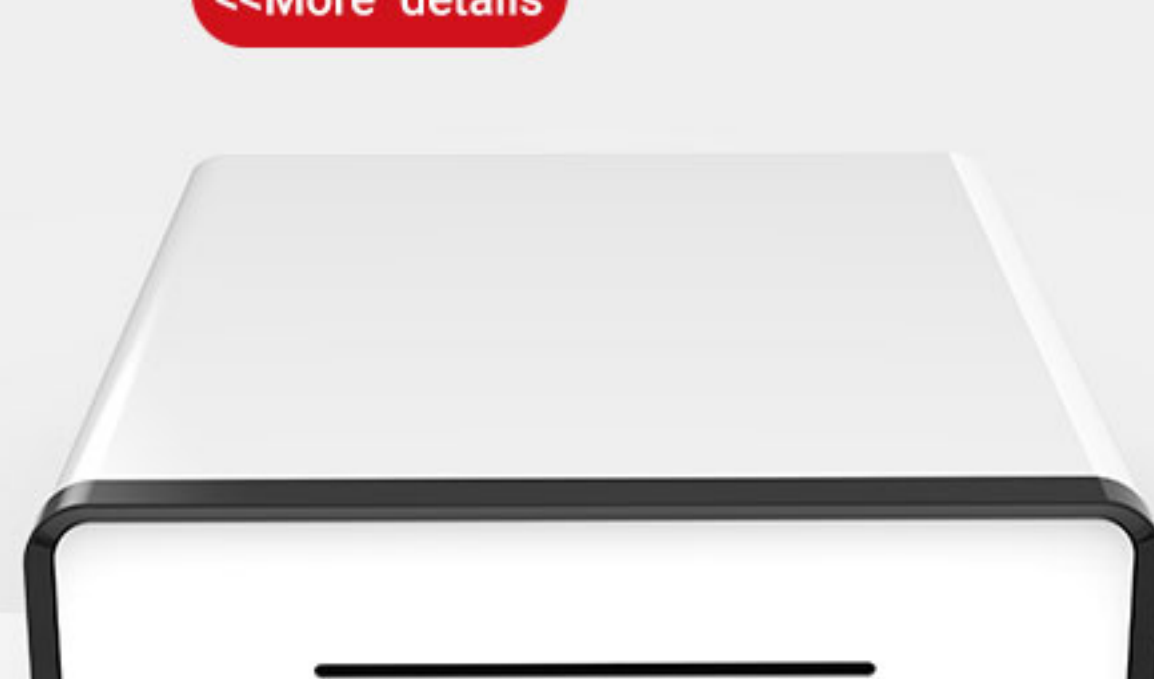
CX-330

- 1.2mm heavy steel
- All body with non-nail design
- Black and white color contrast, exquisite and circular edge corner

[<<More details](#)



Removable cash tray and coin tray



Easily-detachable ball bearing slide

POS Terminal Stand

PS-1020

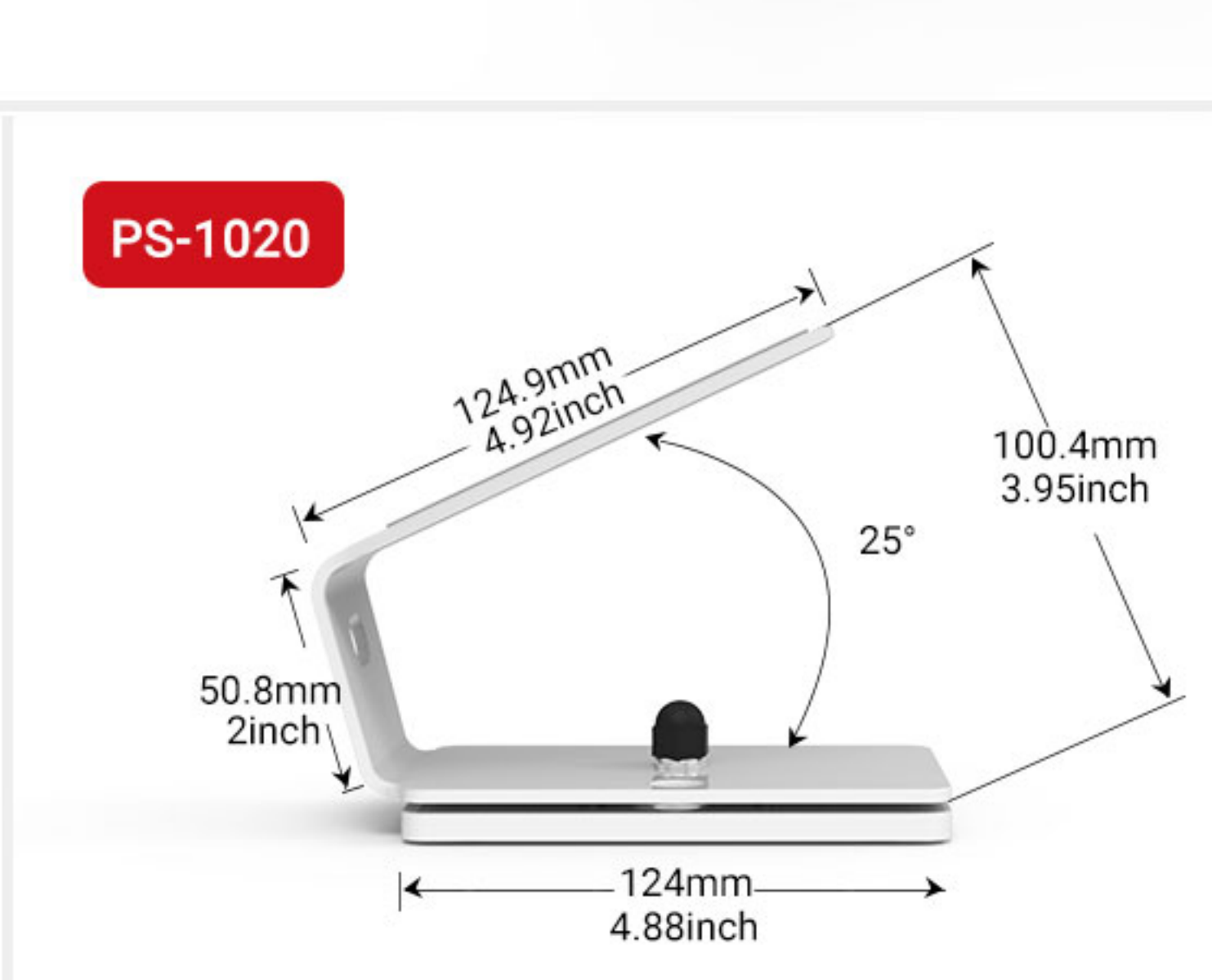
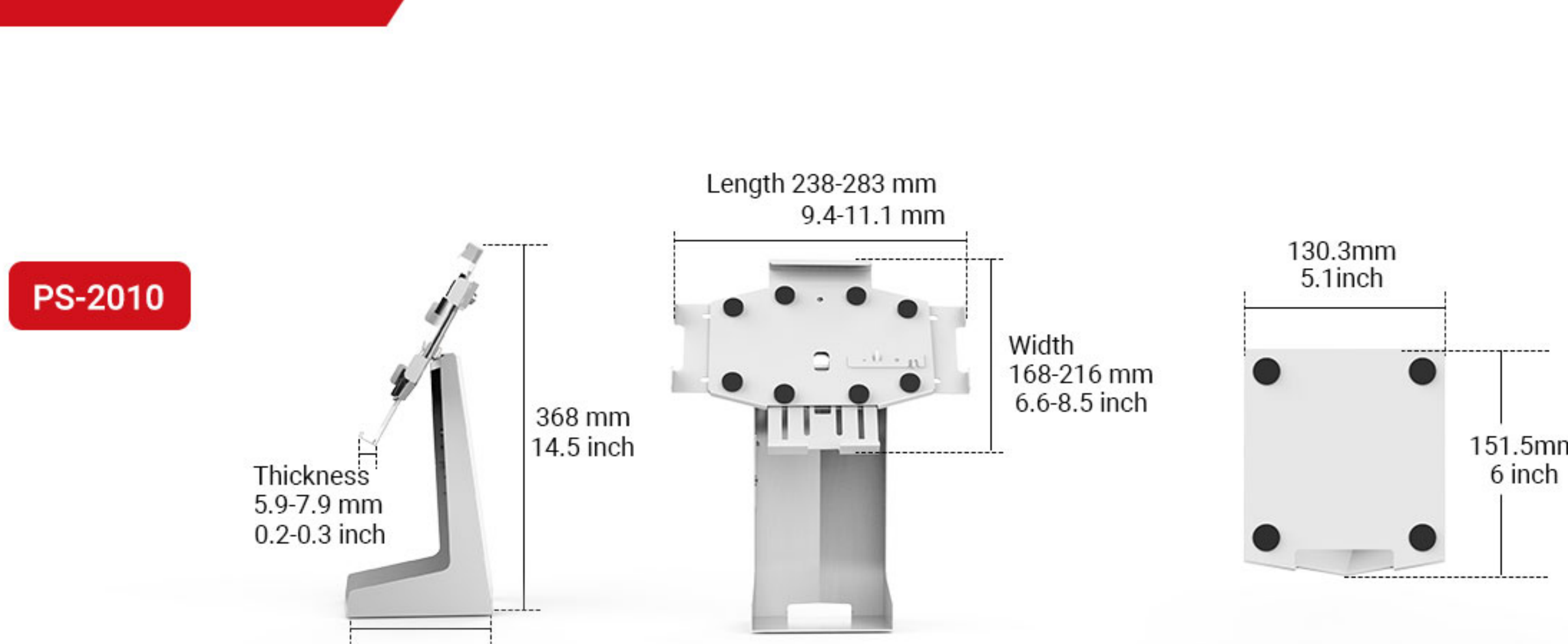
- Simple and stylish
- One-piece bending

[<<More details](#)



360°flexible swivel

SPECIFICATIONS



Model	PS-2010(Tablet POS Stand)
Tablet Compatibility	iPad 9.7~12.9"
Net Weight	2.2 kg
Material	SPCC
Color	Black/ beige
Customized	Color
Model	CX-330(Stylish Cash Drawer)
Dimensions	330W×408D×112H(mm)(Including feet height) 13W×16D×4.4H(inch)(Including feet height) 330W×408D×93H(mm)(Excluding feet height) 13W×16D×3.7H (inch)(Excluding feet height)
Color	Black/ beige
Material	Metal
Surface Finishing	Powder coating
Net Weight	9.3 kg
Cash Tray	5 bills/5,8 coins
Media Slot	1
Lockset	3 positions
Voltage	12V/24V or customized
Connector	RJ11 or customized
Lifecycle	Over 1 million
Option	Micro switch, lockable cover of cash tray
Model	PS-1020(POS Terminal Stand)
Compatible payment terminals	80 W x 110H mm
Net Weight	1kg
Material	SPCC
Color	Black/ beige
Customized	Color