

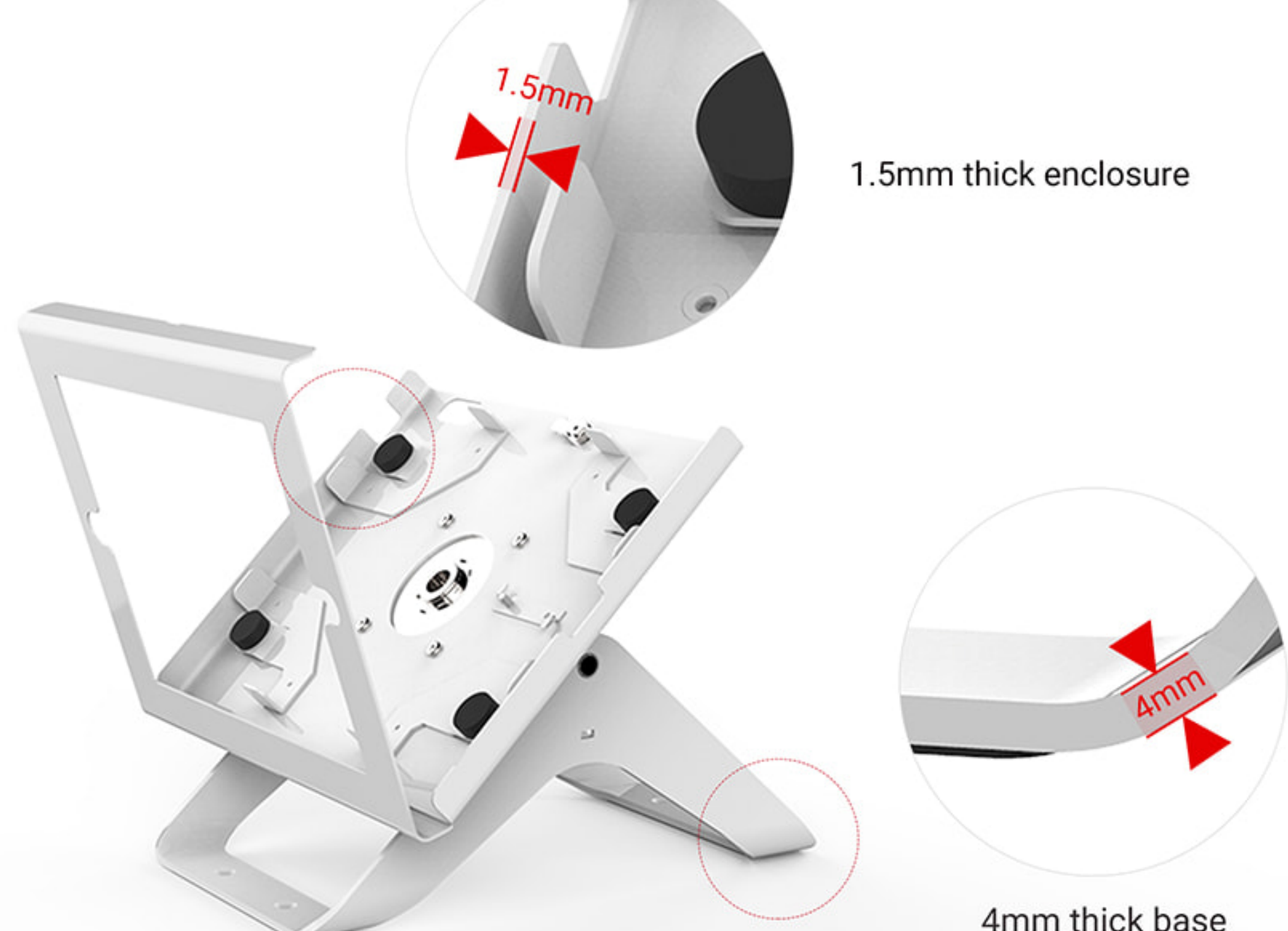
Tiltable Desktop Stand SC-1301



FEATURES

All Steel Construction

The stand is made of all steel and consists of 4mm thick base and 1.5mm enclosure. Rugged, durable and stable enough to achieve a long service life under rigid commercial environment.



Tilted 90° and Rotated 180°

Enclosure can be tilted 90° to the other side to share the screen. It can also be rotated 180° to support landscape or portrait display.



Lockable Enclosure

Flip-type enclosure with key lock make it easy to install and remove iPad, and ensure security when used in commercial places.



Security Lock Mounting

Designed with a special hole for a security lock to prevent your iPad from falling or being lost.



APPLICATIONS



SPECIFICATIONS



Model No.	SC-1301
Tablet Compatibility	iPad 10.2" (2019)
Dimensions(mm)	266x280x226
Dimensions(inch)	10.5x11.0x8.9
Color	Black, White, Customized
Material	SPCC
Net Weight	2.4kg
Customization	Color, Tablet enclosure

ASSEMBLY & INSTALLATION

Packing List

 Finished Product (1PCS)	 Open-ended wrench S10 (1PCS)	 Countersunk head self-tapping screw ST4.8x19 (4+2PCS)
 Key (1PCS)	 Plastic expansion pipe Ø6x30 (4+2PCS)	 User manual (1PCS)

Installation

1. Mounting Options		
<p>Option 1: Freestanding</p>	<p>Option 2: With Security Lock</p> <p>Put the security lock as shown in the figure by inserting the front end into the slot.</p>	<p>Option 3: Screw mounting</p> <p>Drill four holes on the desk (6mm Diameter, 35mm Depth, 250*60mm Distance)</p>
2. Cable Routing		