

Tiltable Tablet Stand SC-1202



FEATURES

All Metal

Made of heavy steel, known for its solid and reliable quality. The key-lock enclosure ensures security and easy release of iPad.



Landscape or Portrait

VESA 65x65, supporting landscape or portrait installation.



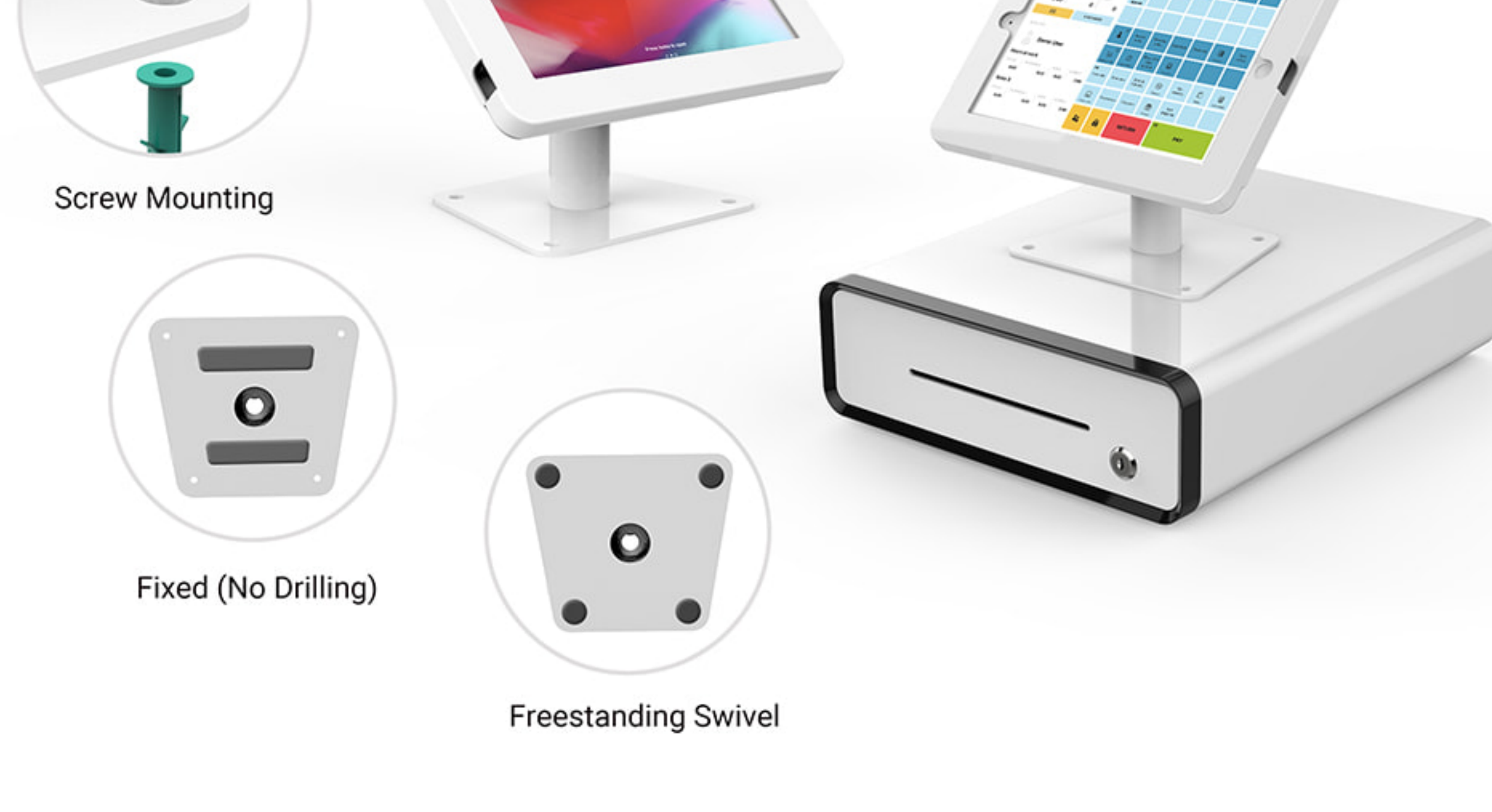
Tiltable Enclosure

Through well-damped hinge, the enclosure can be flipped 180 degrees back and forth, allowing people on both sides of table to share the screen.



Flexible Mounting

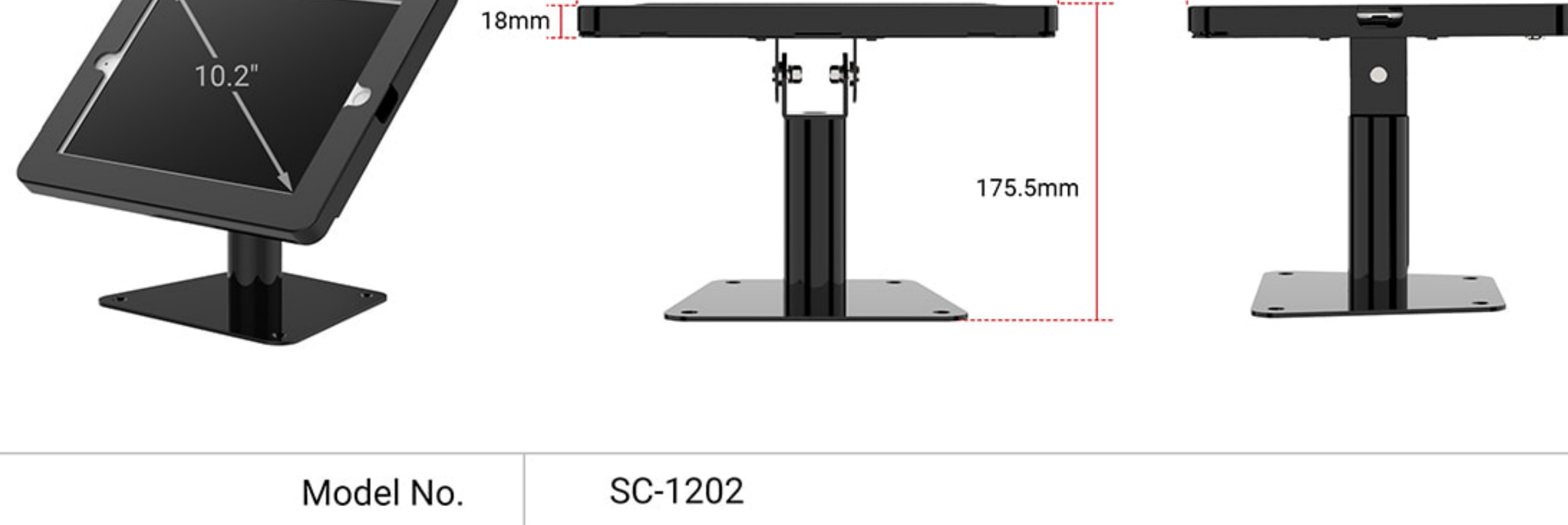
The heavy base supports freestanding, no drilling secured mounting and screw mounting. The stand can be freely applied to a cash drawer and other countertops.



APPLICATIONS



SPECIFICATIONS



Model No.	SC-1202
Tablet Compatibility	iPad 10.2" (2019)
Dimensions(mm)	267.6x214.4x175.5
Dimensions(inch)	10.5x8.4x6.9
Color	Black, White, Customized
Material	SPCC
Net Weight	1.7kg
Customization	Color, Tablet enclosure

ASSEMBLY & INSTALLATION

Packing List

Installation

1. Mounting Options

Option 1: Screw Mounting

Option 2: Fixed (No Drilling)

Option 3: Freestanding Swivel

2. Tablet Installation

① Lock opened

②

③ Lock closed

④

3. Tightness Adjustment

4. Cable Routing