

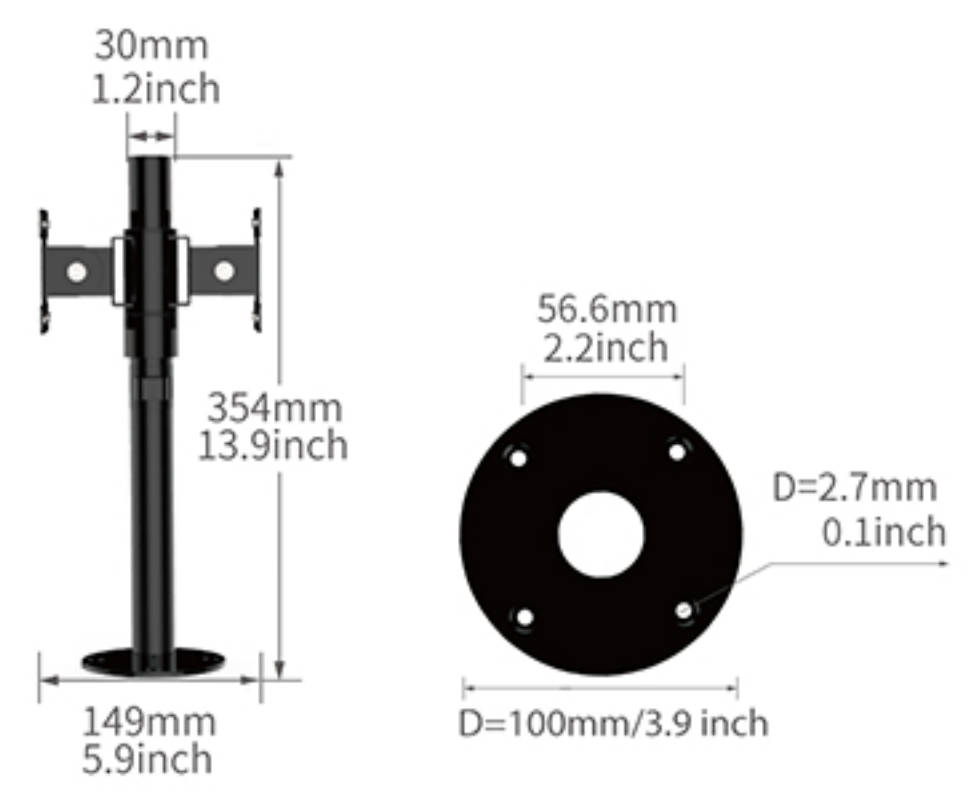
SC-1507

Pole stand mounting double tablets



Product Parameters

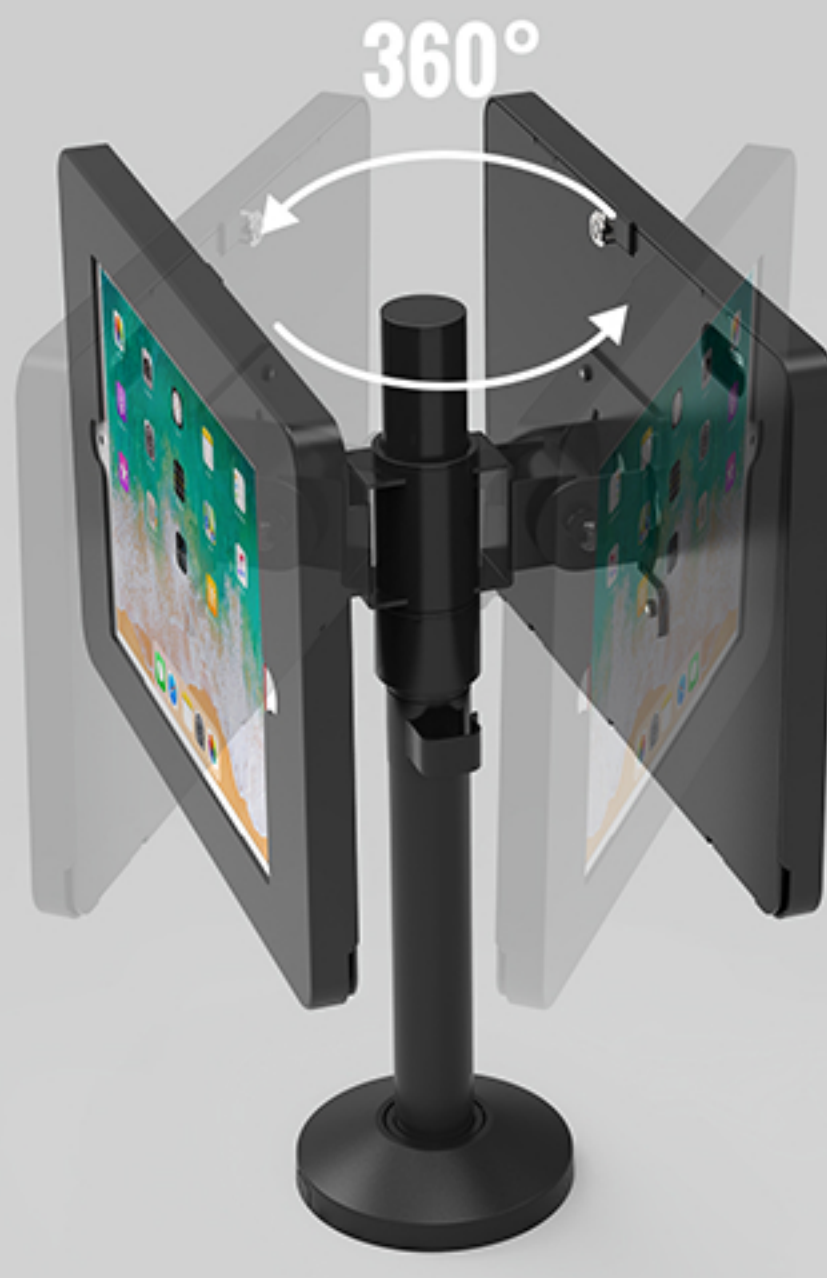
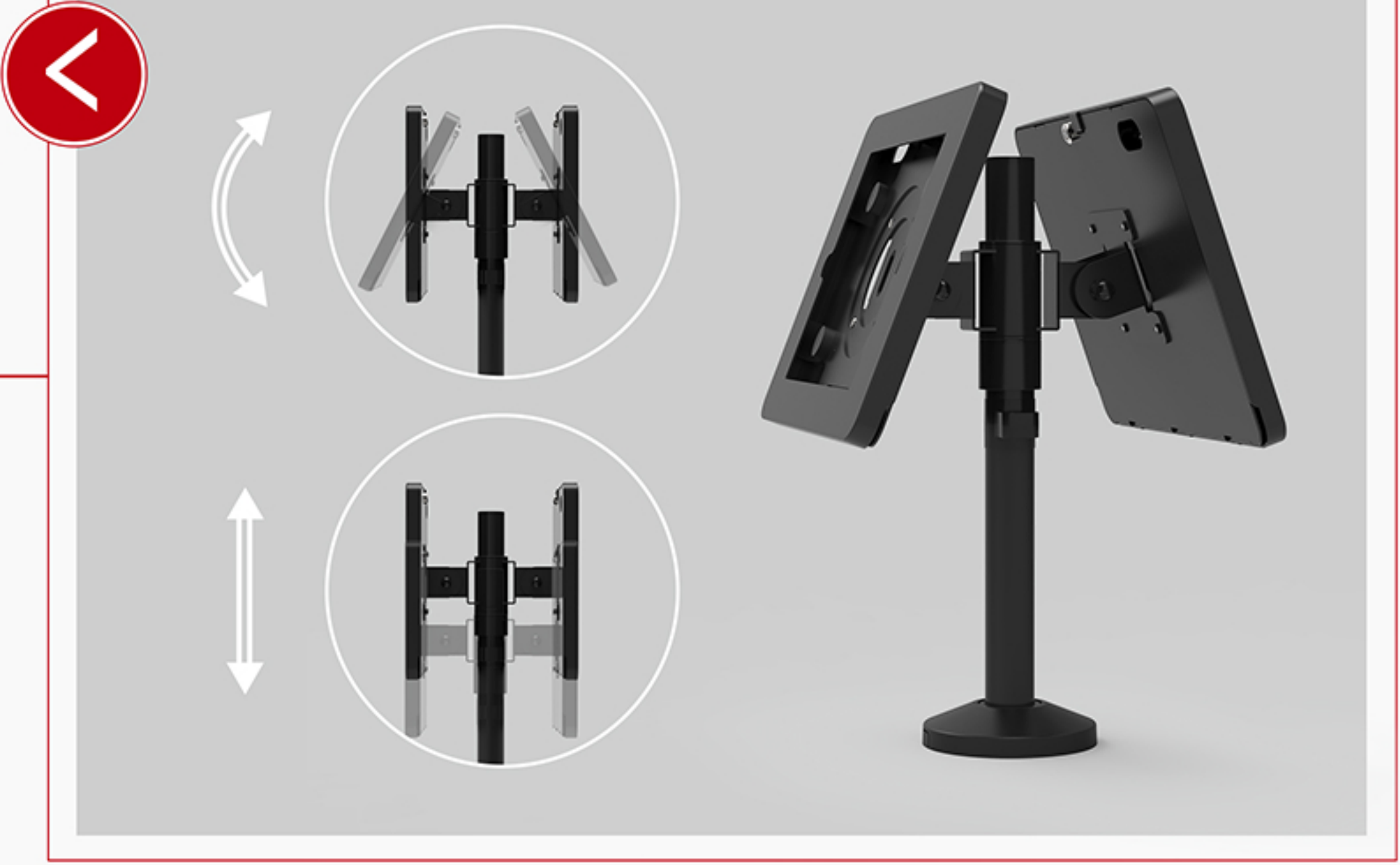
Model	Specifications	Tablet Compatibility	Material
SC-1507	30W x149D x354H mm 1.2W x 5.9D x 13.9H inch	iPad Air 1,2 or as Customized	SPCC
	Net Weight	Color Options	Option
	SC-507 : 1.4KG/3.1LBS	Black, white and customized	Cable Clip



Measurements and weight above based on enclosure fitting iPad Air in landscape mode.

Product Features

Titling Tablet enclosure and Height can be adjusted



Tablet enclosure support 360° rotation as shown

Clip on pole to arrange the cable



XIAMEN MAKEN TECH CO., LTD.

www.maken.com