

SC-1501

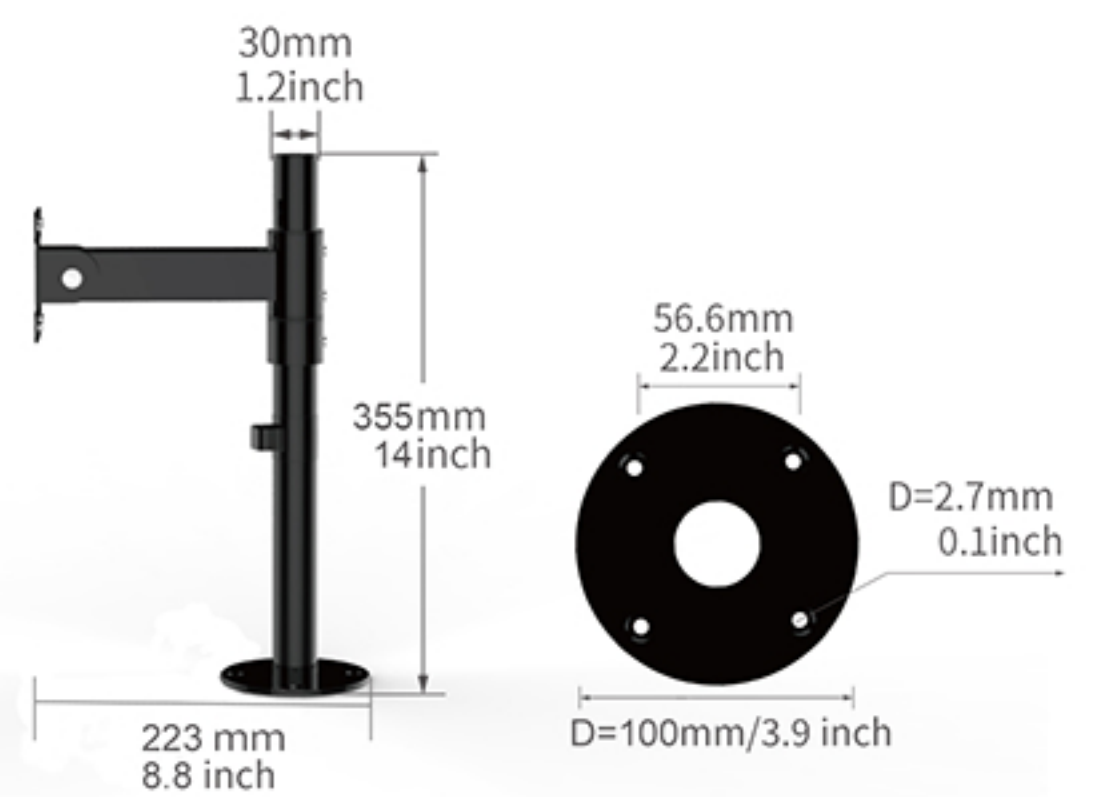
Countertop Pole Stand



Product Parameters

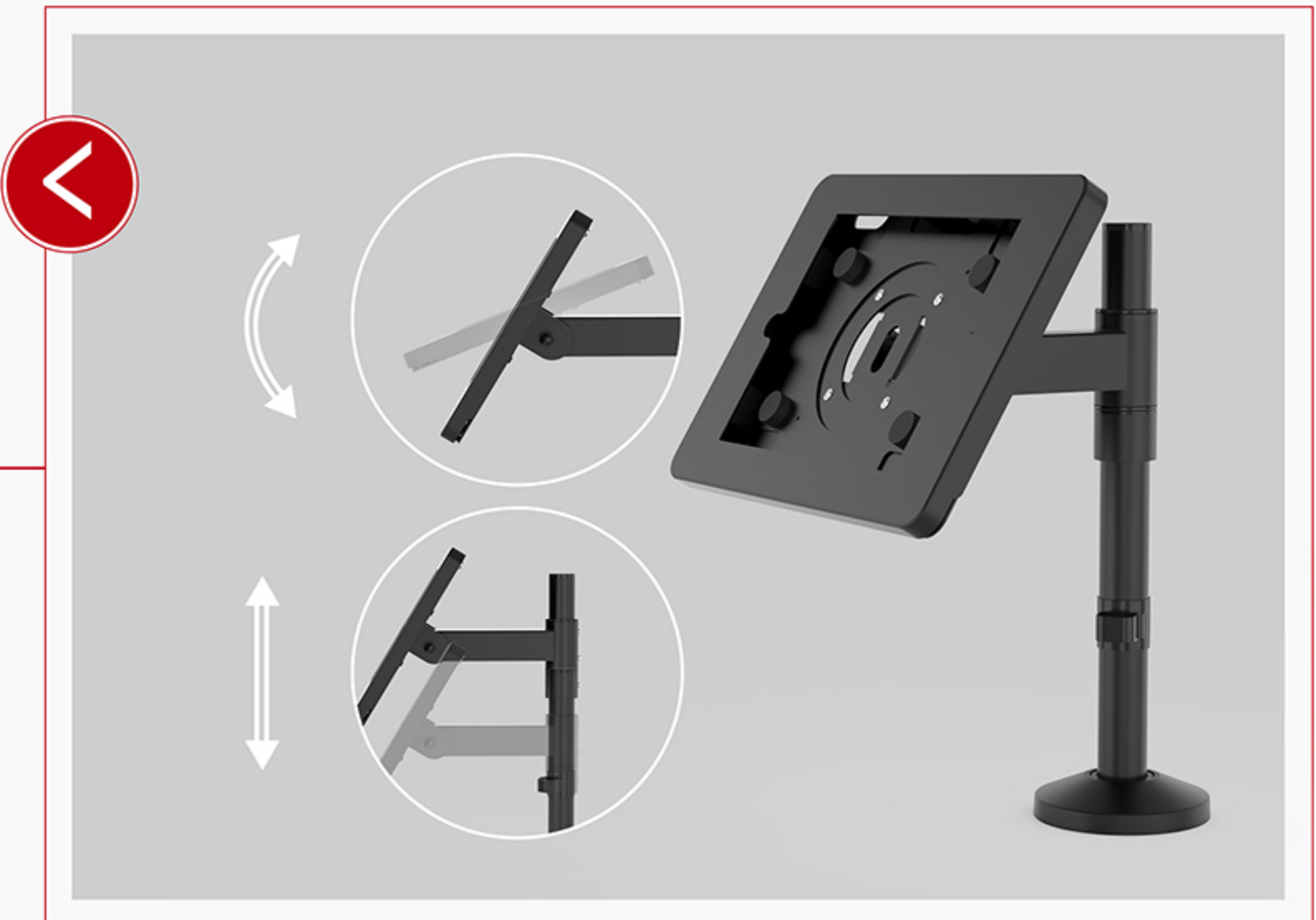
Model	Specifications	Tablet Compatibility	Material
SC-1501	30W x 223D x 355H mm 1.2W x 8.8D x 14H inch	iPad Air 1,2 or as Customized	SPCC
	Net Weight	Color Options	Option
	SC-501 : 1.3KG/2.9LBS	Black, white and customized	Cable Clip

Measurements and weight above based on enclosure fitting iPad Air in landscape mode.

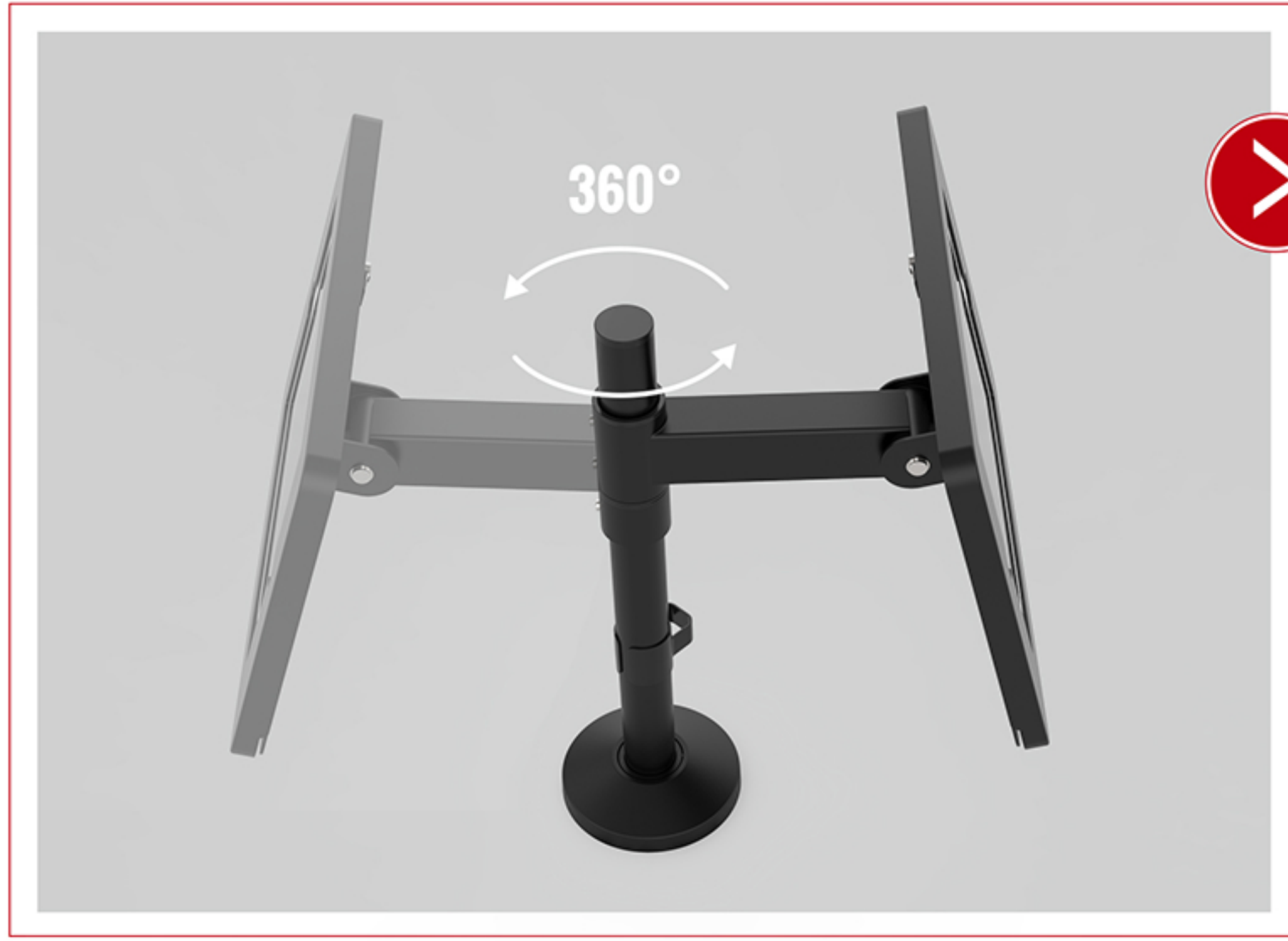


Product Features

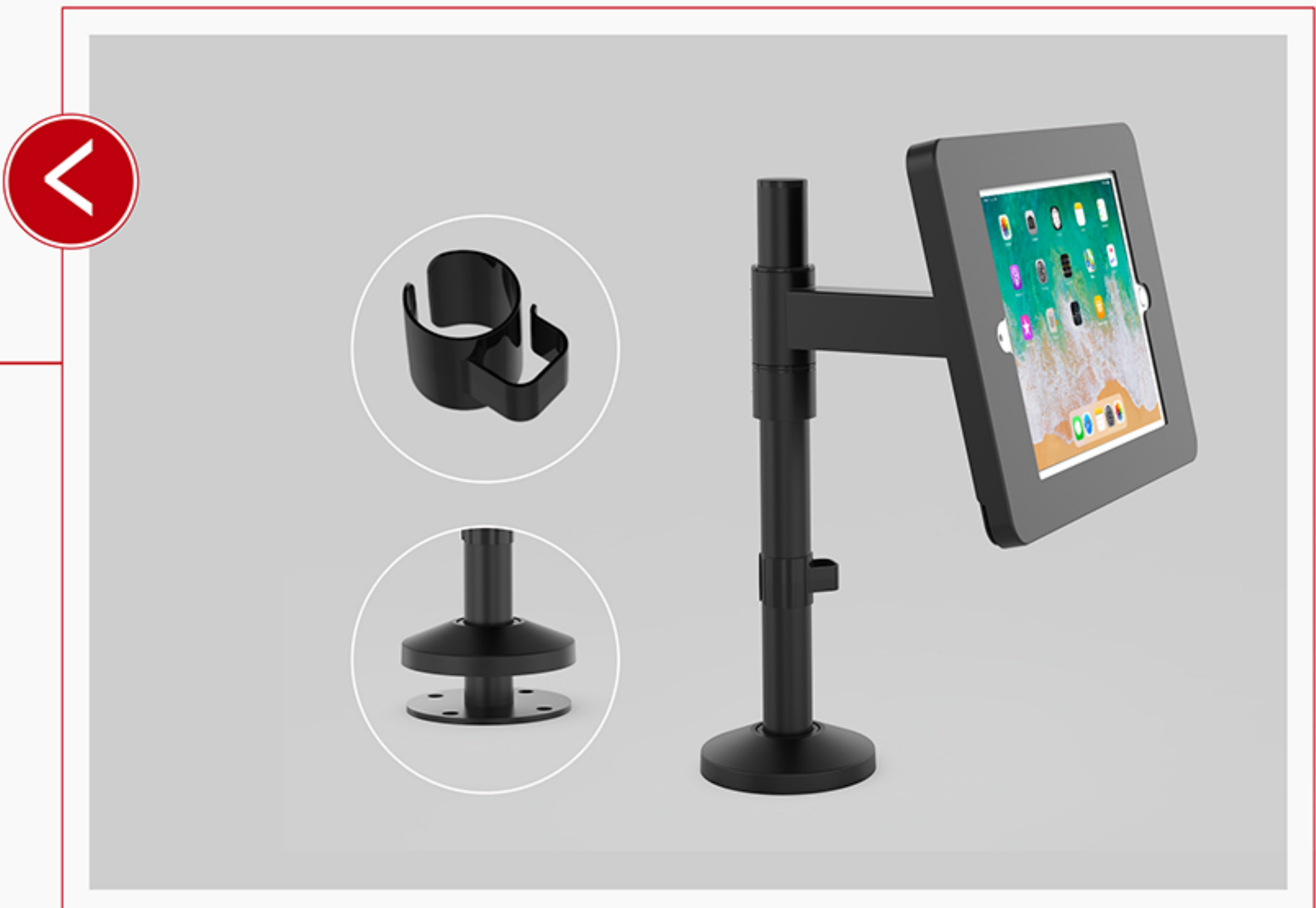
Titling Tablet enclosure and Height can be adjusted



Tablet enclosure support 360° rotation as shown



Clip on pole to arrange the cable



XIAMEN MAKEN TECH CO., LTD.

www.maken.com