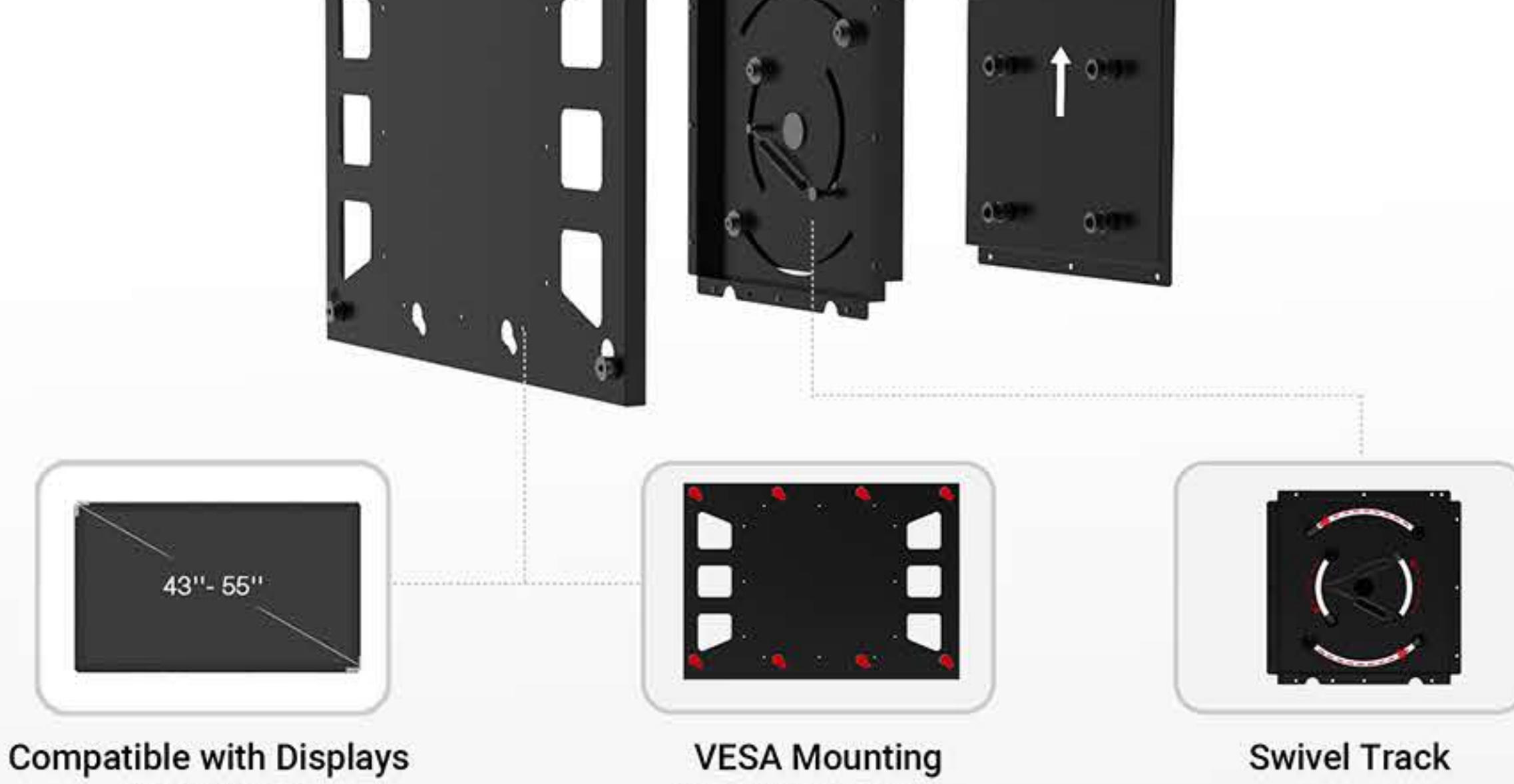


SWIVEL WALL MOUNTING BRACKET

MW-1200

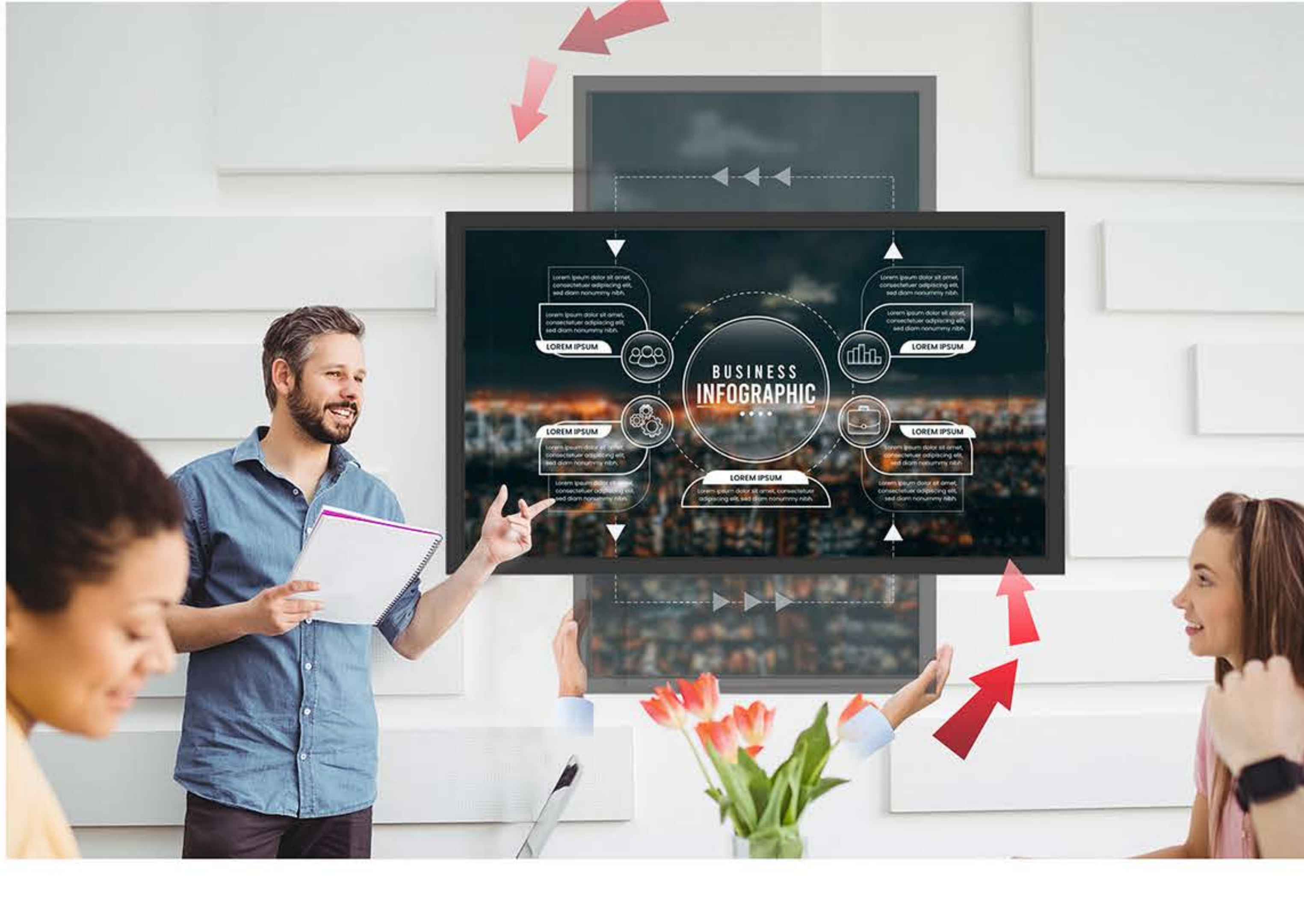
- 90 degree rotation
- Compatible with displays 43-55 inch

FEATURES



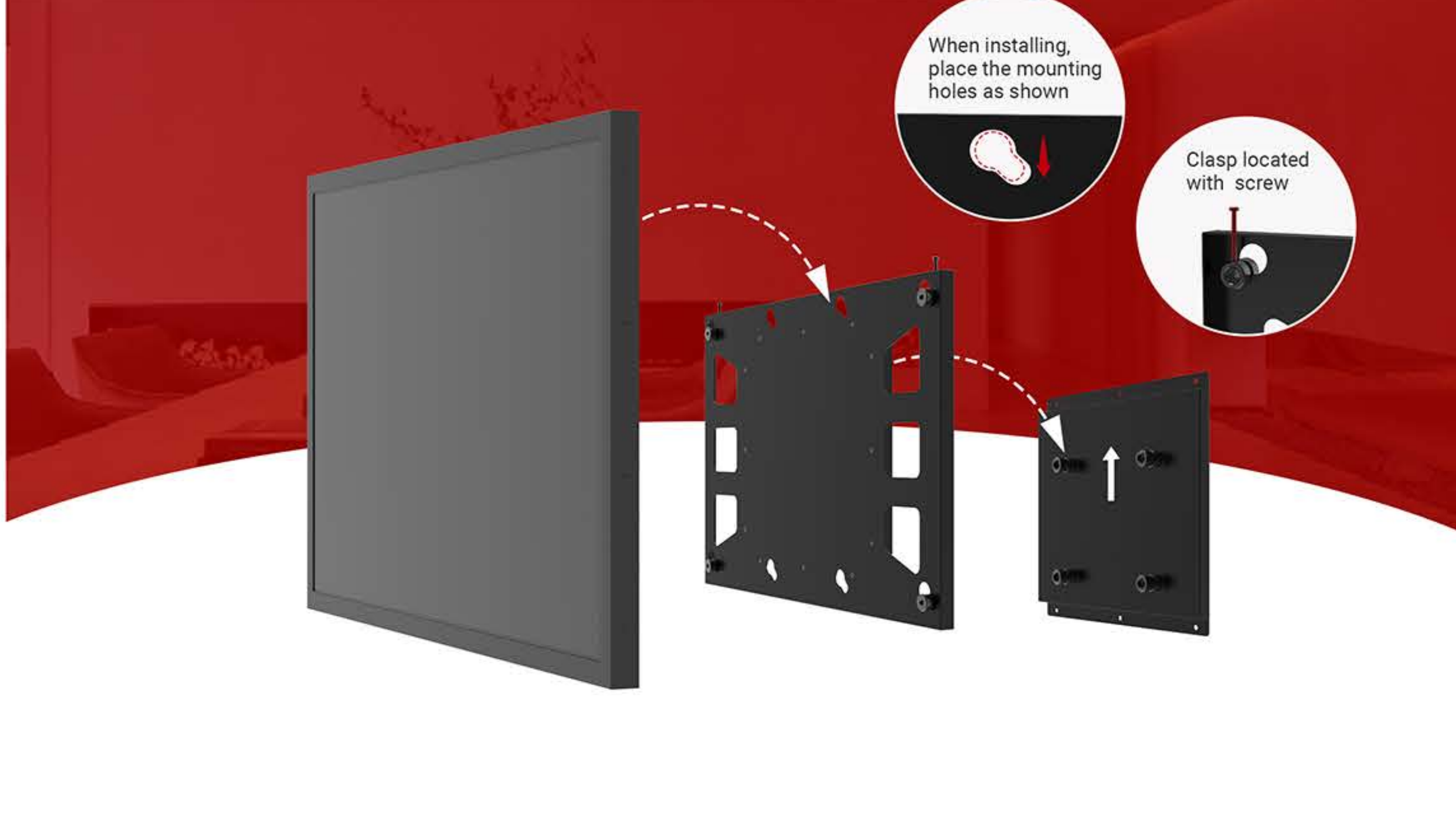
90 Degree Rotation

Compared with traditional fixed bracket for commercial display, the MW-1200 bracket can be rotated 90 degree. You can freely switch the screen between horizontal and vertical to get a perfect view, without re-installing the monitor.



VESA Mounts

The MW-1200 bracket is designed with standard VESA for 600x400/400x200 mm, compatible with different sizes displays from 43 to 55 inch. The whole bracket is made of SPCC steel with precise design and strong load-bearing capacity for large size screens in safety and reliability.



Commercial Display Bracket Wall-mounting Series

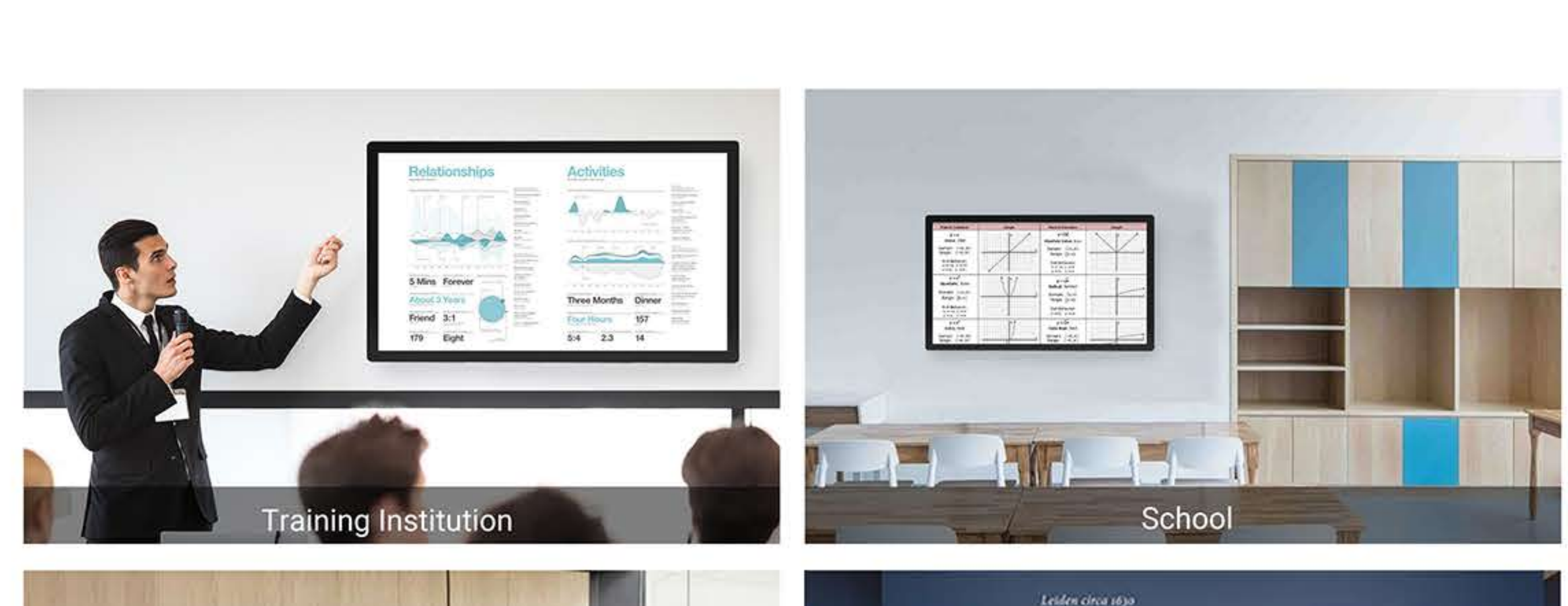


Multiple Mounting Modes

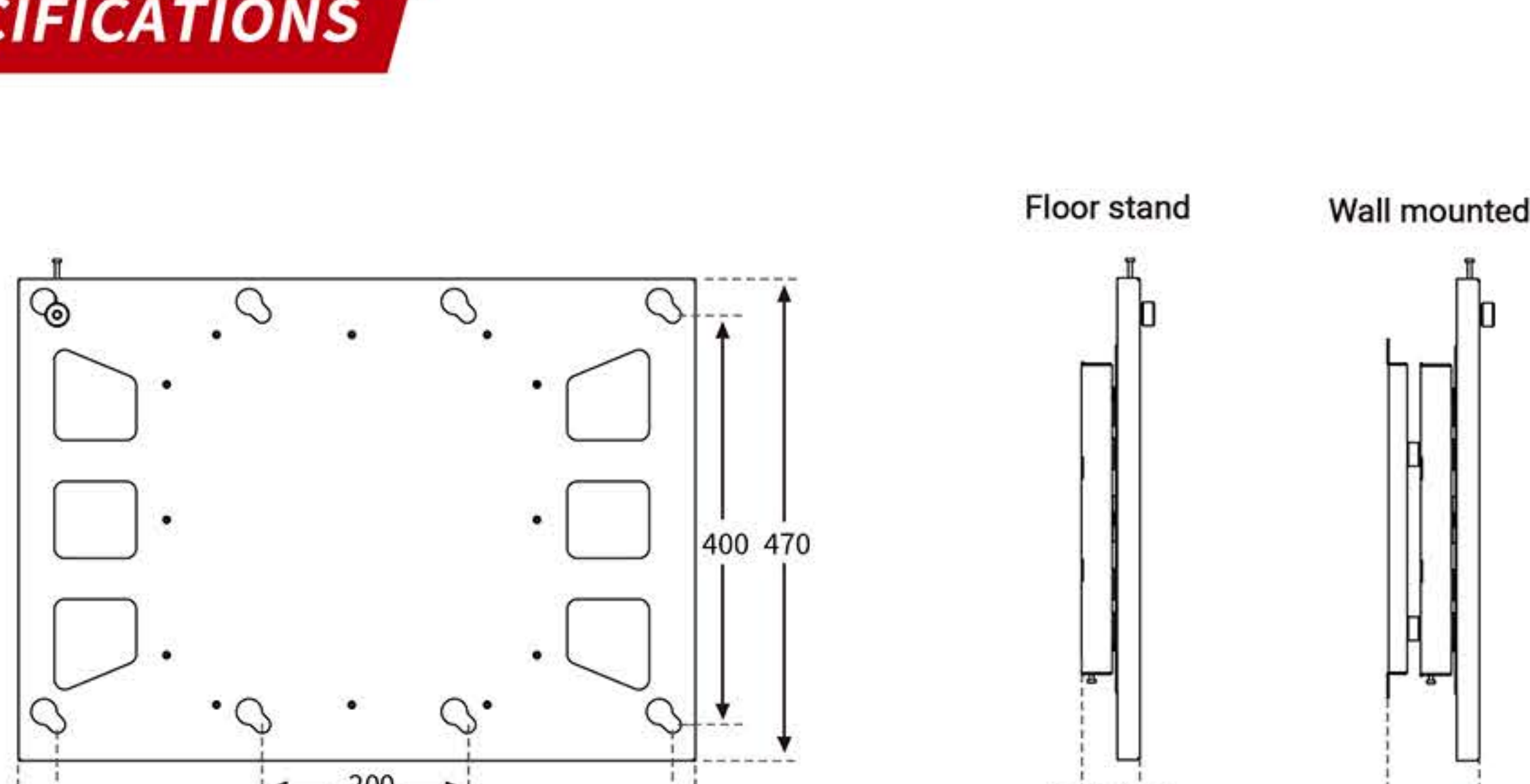
Supports wall mounting, or combined with flooring stand to meet different applications requirement. Touch screen and non-touch screens are available.



APPLICATIONS



SPECIFICATIONS



Model No.	MW-1200
Compatible Screen	43-55 inch
VESA	600x400 / 400x200 mm
Bearing Capacity	50kg (max)
Material	SPCC
Surface Finishing	Power coating
Overall Size	660x470x57 mm (floor stand) 660x470x89.5 mm (wall mounted)
Package	
Net Weight	8.5kg (floor stand) 10kg (wall mounted)
Gross Weight	